



**MODEL "ME-40"**  
**MULTI-PURPOSE CUTTER**

**&**

**AIR-INTENSIFIED**  
**POWER UNIT**  
**B&D #9770059**

**PARTS & SERVICE MANUAL**



---

***BEST & DONOVAN***

5570 CREEK ROAD, CINCINNATI, OHIO 45242, USA  
TOLL FREE: 1-800-553-2378 TEL.: 1-513-791-9180  
FAX: 1-513-791-0925 CABLE: WEPCO

# MODEL "ME-40" MULTI-PURPOSE CUTTER

## WARRANTY

Best & Donovan warrants the machine against defective parts & workmanship for six (6) months from date of factory shipment. In the fulfillment of its warranty, the sole obligation of Seller shall be to repair or replace, at its option F.O.B. its factory, shipping charges prepaid, and which after inspection by Seller are found to be defective. Buyer shall notify Seller of defect in writing, promptly upon discovery, within the warranty period. This warranty does not cover defects caused by corrosion or normal deterioration. It does not extend to consequential damage, loss or delay associated with a warranty defect and it does not cover any costs of labor, travel or other expenses associated with the repair or replacement of defective parts. Seller assumes no liability for product loss or other claims whatsoever arising out of the use or application of the machine in Meat Slaughtering/Processing operations, whether the machine is used alone or in conjoint use with other Meat Slaughtering/Processing Machines or Processes.

This warranty is voided if repairs, replacements or alterations are made by others without prior authorization by Seller. Notwithstanding the foregoing, Seller's warranty obligations with respect to any items not manufactured by Seller shall not exceed the obligations undertaken by the manufacturer thereof under express warranty to the Seller. This express warranty is in lieu of all other warranties of fitness of the machine for any particular purpose.

## SERVICE INFORMATION AND PREVENTATIVE MAINTENANCE SCHEDULE FOR BEST & DONOVAN

BEST & DONOVAN REALIZES THAT THERE MAY BE MANY DIFFERENT APPROACHES TO PROPER MAINTENANCE, ASSEMBLY, DISASSEMBLY, AND ADJUSTMENT PROCEDURES. THE FOLLOWING PROCEDURES SHOULD BE USED AS A GUIDELINE AND WHETHER ACCEPTED OR USED IN THEIR ENTIRETY OR PARTIALLY, IS NOT A SUBSTITUTE FOR PROPER MECHANICAL ABILITY AND/OR KNOWLEDGE.

***ONLY PERSONNEL WITH PROPER MECHANICAL AND TECHNICAL SKILLS SHOULD ATTEMPT ANY SERVICE PROCEDURES.***

\*\*\*\*\*

THE FOLLOWING SERVICE INFORMATION WILL DESCRIBE IMPORTANT NOTATIONS REQUIRING SPECIAL ATTENTION BY THE TECHNICIAN(S) PERFORMING SERVICE TASKS. THEY ARE : **WARNING, CAUTION, and NOTE.**

**WARNING :** WILL DESCRIBE CONDITIONS THAT EXIST OR POTENTIALLY EXIST THAT CAN CAUSE INJURY OR DEATH.

**CAUTION :** WILL DESCRIBE CONDITIONS THAT EXIST OR POTENTIALLY EXIST THAT CAN CAUSE INJURY OR EQUIPMENT FAILURE.

**NOTE :** WILL DESCRIBE A SPECIFIC HELPFUL PROCEDURE.

# BEST & DONOVAN MODEL "ME-40"

## SPECIFICATIONS SHEET

**OPERATION :** SINGLE LINE HYDRAULIC PISTON THAT HAS A SPRING RETURN WHEN RELEASE.

### HAND-PIECE

NET WEIGHT :	7.75 lbs. - 3.5 Kilos.
RECOMMENDED BALANCER :	# 6352300
LENGTH :	16 inches - 405 mm..
BLADE OPENING :	2 3/8 inches - 60 mm.
BLADE DEPTH :	3.5 inches - 88.9 mm.
CUTTING SPEED :	1.5 seconds ( 6500 HOGS PER SHIFT )

### REQUIREMENTS

AIR PRESSURE : 100 p.s.i. AT THE INLET

*NOTE : THIS AIR OVER FLUID UNIT WILL CONVERT 100 p.s.i. TO 2000 p.s.i. HYDRAULIC PRESSURE.*

RESERVOIR FLUID : TYPE "A" LIGHT

HYDRAULIC LINE HOSE & COUPLING : 3/8" MINIMUM

AIR LINE TO PUMP UNIT INLET 1/2" MINIMUM

MAIN AIR LINE LUBRICANT : 10 WEIGHT SPINDLE OIL  
( 2 to 3 DROPS PER MINUTE )

*NOTE : IT IS RECOMMENDED THAT THE MAIN AIR SUPPLY TO THE PUMP UNIT HAVE A REGULATOR, WATER FILTER & LUBRICATOR IN-LINE.*

# MODEL "ME-40" HYDRAULIC POWER UNIT

## PURGING AIR FROM THE HYDRAULIC SYSTEM

1. DISCONNECT THE MAIN AIR SUPPLY TO THE PUMP UNIT.
2. FILL OIL RESERVOIR USING TYPE "A" LIGHT OIL.
3. SET THE PUMP UNIT ON A TABLE WITH THE HYDRAULIC HOSE ( COUPLING END ) ON THE FLOOR.
4. DEPRESS INSIDE OF COUPLING VALVE UNTIL OIL REACHES THE COUPLING, RELEASE VALVE.
5. CONNECT HYDRAULIC HOSE TO "ME-40" CUTTER UNIT.
6. CAREFULLY CLAMP THE "ME-40" CUTTER UNIT IN A SOFT JAWED VISE.

**CAUTION : WEAR SAFETY GLOVES WHENEVER WORKING WITH THE CUTTER BLADES.**

7. SQUEEZE BLADES TOGETHER AGAINST THE SPRING PRESSURE OF THE CUTTER CYLINDER TILL BLADES ARE CLOSED. REPEAT APPROX. 12 TIMES.

*NOTE : AS THE BLADES ARE SQUEEZED TOGETHER, WATCH THE RESERVOIR OIL LEVEL. THE LEVEL SHOULD DROP APPROX. 1/4" WHEN COMPLETELY CLOSED.*

8. ON RELEASE OF THE BLADES THE OIL RETURNING TO THE RESERVOIR WILL BE SHOWING AIR BUBBLES. WHEN NO MORE BUBBLES ARE VISIBLE IN THE RETURN OIL, RECONNECT THE AIR TO THE PUMP UNIT AND ACTIVATE THE TRIGGER OF THE "ME-40".

**CORRECT LUBRICATION, CLEANLINESS & SHARPNESS OF BLADES ARE THE MOST IMPORTANT POINTS TO REMEMBER FOR LASTING PERFORMANCE.**

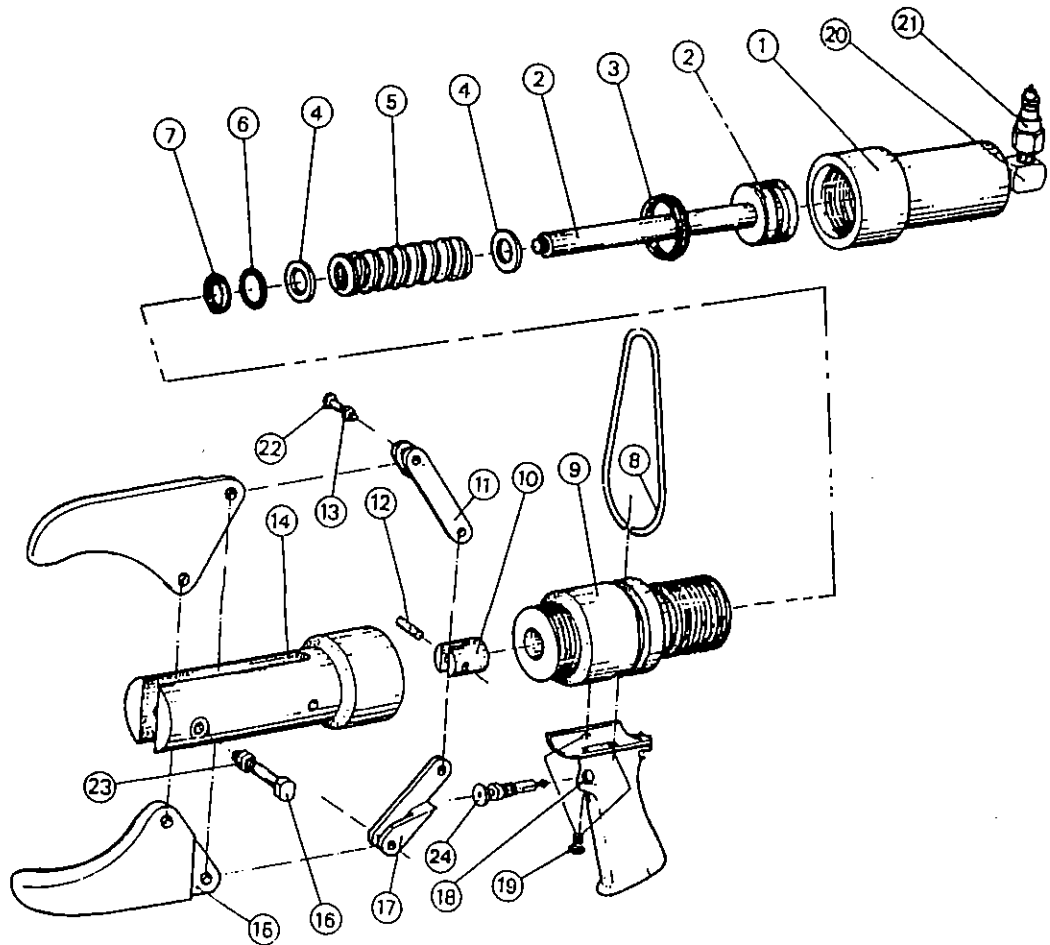
## GREASING & OILING

*NOTE : WORKING PARTS MUST BE GREASED & OILED REGULARLY.*

1. THE BLADES AT THEIR PIVOT POINTS SHOULD BE GREASED TWO TO THREE TIMES IN AN EIGHT (8) HOUR SHIFT.
2. APPLY GREASE TO PIVOT BOLTS & YOKE PIN EVERY 10 HOURS OF USE.
3. AFTER EVERY 40 HOURS REMOVE BLADES FROM CLEVIS, CLEAN AND APPLY GREASE BETWEEN BLADE FACES, WEAR PLATES, PIVOT PIN & LINKS.
4. CHECK LOCK NUTS ON PIVOT BOLTS EVERY 8 HOURS. REPLACE IF NECESSARY.
5. CHECK SPRING TENSION OF CYLINDER EVERY 40 HOURS. REPLACE, IF NECESSARY, AFTER 500 HOURS APPROXIMATELY.

# MODEL "ME-40" CUTTER PARTS LIST

REF. NO.	PART NO.	DESCRIPTION	QTY.	RECOMMENDED SPARE PART
1	**	CYLINDER	1	
2	9740200	PISTON & ROD ASSY.	1	
3	***	HYDRAULIC SEAL ( IN KIT # 9742000 )	1	
4	9740300	WASHER	2	
5	9740400	RETURN SPRING	1	
6		TRIGGER ( INCLUDED WITH # 9739903 VALVE )	1	
7	***	ROD WIPER SEAL ( IN KIT # 9742000 )	1	
8	9740500	HANGER	1	
9	**	CYLINDER HEAD	1	
10	9740600	YOKE	1	
11	9740700	CAM LINK	2	*
12	9740800	YOKE PIN	1	*
13	9740900	LINK BOLT NUT	2	*
14	9741000	CLEVIS TUBE	1	
15	9741100	BLADES	1 PR.	*
16	9741200	BOLT	1	*
17	9740700	CAM LINK	1	*
18	9741300	HANDLE	1	
19	9741400	SCREW	2	
20	9741500	ELBOW	1	
21	9741600	HYDRAULIC COUPLING	1	
22	9741700	LINK BOLT	2	*
23	9741800	PIVOT BOLT LOCK NUT	1	*
24	9739903	2-WAY AIR VALVE	1	*
N/S	9754200	TRIGGER GUARD	1	
N/S	9741070	WEAR PLATES (BETWEEN BLADES & YOKE)	1 PR.	*
**	9741900	CYLINDER & HEAD ASSY. (# 1 & # 9 ONLY)		*
***	9742000	SEAL KIT (INCLUDES # 3 & # 7)		*



**MODEL "ME-40"**  
**AIR-INTENSIFIED PUMP UNIT # 9770059**

<u>REF. NO.</u>	<u>PART NO.</u>	<u>DESCRIPTION</u>	<u>QTY.</u>
8	9749901	1/2" BSP x 1/2" O.D. SCREW ADAPTER	2
9	9749903	1/2" O.D. EQUALL TEE	1
10	9749905	3/8" BSP x 1/2" O.D. ST. ADAPTER	1
11	9749907	1/2" BSPT x 1/4" BSP RED. SOCKET	2
14	9745000	3/8" HYDRAULIC HOSE	1
17	9745700	1/2" FILTER	1
19	9749909	DEMAND VALVE	1
20	9744600	3/8" BSP STEEL NIPPLE	1
21	9744900	BOOSTER INTENSIFIER	1
22	9744600	3/8" BSP STEEL NIPPLE	1
23	9749911	3/8" QUICK EXHAUST	1
24	9749913	3/8" BRASS PLUG	1
25	9745900	3/8" SILENCER	1
26	9744700	OIL RESERVOIR	1
27	9744300	1/4" BSP x 3/8" O.D. BRASS ELBOW	1
29	9749915	3/8" NYLON TUBE	A/N
30	9749917	1/2" NYLON TUBE	A/N
31	9749919	3/8" HYDRAULIC COUPLING	1
32	9749921	4 mm TUBE CONNECTOR	1
33	9749923	1/8" BSP x 4 mm O.D. CONNECTOR	
34	9749925	4 mm NYLON TUBE	A/N
35	9749927	1/8" BSP x 4 mm O.D. CONNECTOR	
36	9749929	SENSOR VALVE	1
37	9749931	3/8" BSP x 1/2" O.D. STEM ADAPTER	1
38	9744400	MALE CONNECTOR 68 x 6 x 4	1
39	9749933	3/8" SILENCER	1

**PARTS NOT SHOWN**

9749935	REPAIR KIT FOR DEMAND VALVE #9749909
9749937	PORT BLOCK KIT
9749939	WALL MOUNTING KIT
9749941	DIAPHRAGM FOR QUICK EXHAUST

**PARTS FOR BOOSTER ASSY.**

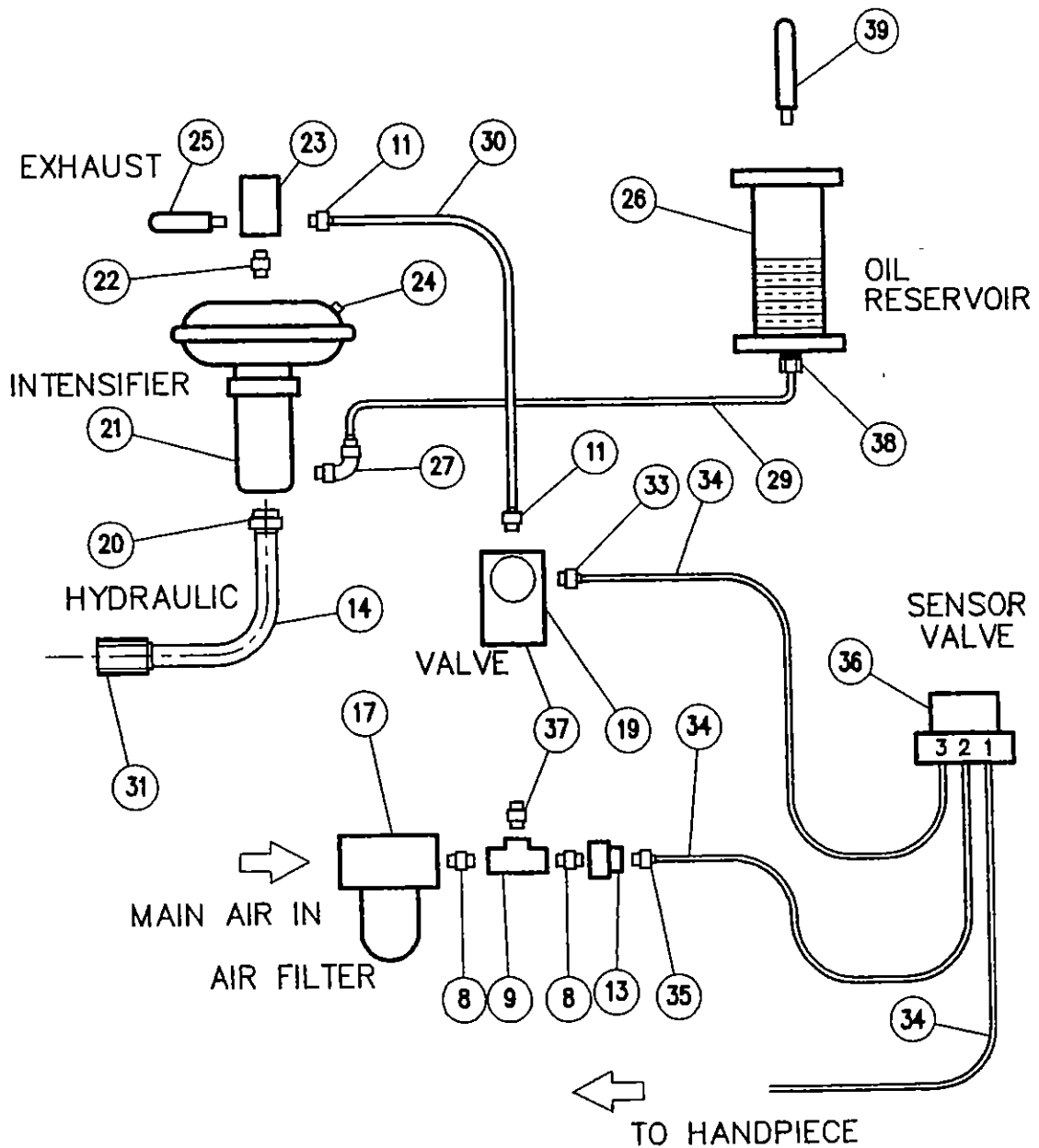
9746400	DIAPHRAGM
9746500	SPRING
9746600	PISTON
9749943	PNEUMATIC PISTON
9749945	SEAL KIT

# MODEL "ME-40"

## AIR INTENSIFIED PUMP UNIT

### # 9770058

## *PARTS & CONNECTION SCHEMATIC*



## AVAILABLE PARTS FOR THE "ME-40" BOOSTER UNIT

REF. NO.	PART NO.	DESCRIPTION	QTY.
	<b>9744900</b>	<b>BOOSTER UNIT COMPLETE</b>	
1		END CAP	1
2	9746800	"O" RING	2
3	9746700	"U" SEAL	2
4		BUSHING	1
5		BODY	1
6		LOCKING RING	1
7		BASEPLATE	1
8	9746600	PISTON	1
9		LOCKNUT	1
10		NUTS	1
11	9746500	SPRING	2
12	9749943	BACKING PLATE	1
13	9746400	DIAPHRAGM	1
14		HOUSING TOP	1
15		CLAMP HALVES	2
16		HOUSING BASE	1
**	9749945	SEAL KIT (INCLUDES 2 & 3)	

