



**MODEL "GT-30" & "GT-40"
MULTI PURPOSE SAWS**

**INSTALLATION
OPERATION
MAINTENANCE INSTRUCTIONS
PARTS LIST**

**FOR MORE INFORMATION, CONTACT
BEST & DONOVAN
5570 CREEK RD., CINCINNATI, OHIO 45242, USA
TEL.: 1-513-791-9180 FAX : 1-513 791-0925
CALL TOLL FREE - 1-800-553-BEST**

“GT-30” & “GT-40” RECIPROCATING BREAKING SAW

TOOL SPECIFICATIONS

Net Weight	13 lbs. (5.90 Kilos)
Motor	Waterproof Double-Insulated Full 1-Horsepower (.746 kw) available in AC-110/1/60 or 220/1/50-60.
Saw Blades Available	“GT-40” - No. 9780072 - Fine Tooth Pitch 15 3/4” “GT-30” - No. 9780086 - Fine Tooth Pitch 11 3/4”
Drive	NOTE : All Blades can be Resharpended 8,000 Cutting Strokes Per Minute

APPLICATIONS

General breaking of pigs and sows, general breaking of sheep and goats, quartering of beef (e.g. pistol cuts).

SAFETY RULES

1. The saw is to held by rear (main) handle and by upper round handle at the same time.
2. The saw may only be used for applications described in Section 1 and must be operated by a person that has read and understood this instruction manual.
3. For safety reasons, the use of a balancer is recommended. For working without a balancer a straight cable is recommended.
4. Blade should be sharp for operation, **Do not use the saw with a dull blade.**

WARNING : USE IN WET AREAS IS NOT RECOMMENDED

WARNING : For checking, cleaning, maintenance, saw blade change, suspending on the balancer and after the shift, the saw must be disconnected from the power source.

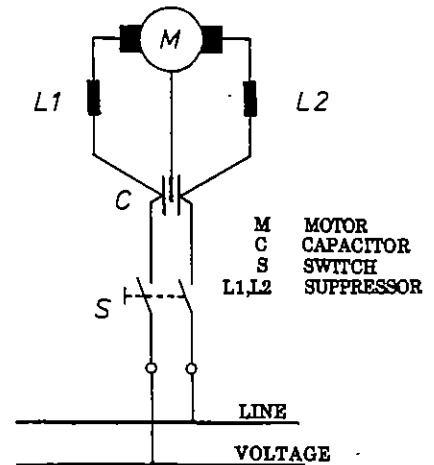
WARNING : Never touch the blade unless wearing proper safety gloves.

CAUTION : While operating, use extreme caution to avoid the danger of accidents. Any misuse can lead to considerable injuries and/or damages.

INSTALLATION

ELECTRICAL CONNECTION

Prior to connecting the saw to the electric supply, the identification tag on the saw and electric supply must be checked. The saw must be connected by an electrician, according to the wiring diagram and according to Federal and Local regulations.



SUSPENDING THE SAW

These tools may be hand held or installed through the use of a No. 6342400 (20E) Overhead Spiral Spring Counterbalancer. When hooking up to an overhead counterbalancer, connect the balancer to the No. 9780055 (ref. no. 51) for proper installation.

NOTE : These saws can be supplied with or without the No. 9780055 hanger. If your saw is furnished with the hanger and it is not required, the hanger may easily be removed by unscrewing two (2) No. 9780046 (ref. no. 59) screws. If your saw is supplied without the hanger, the assembly can be ordered under Part No. 9780052 (ref. no. 48).

1. Fasten the balancer with safety chain high enough to suspend the saw in working position.
2. The diagram on the next page is an example of tool set-up.

OPERATION

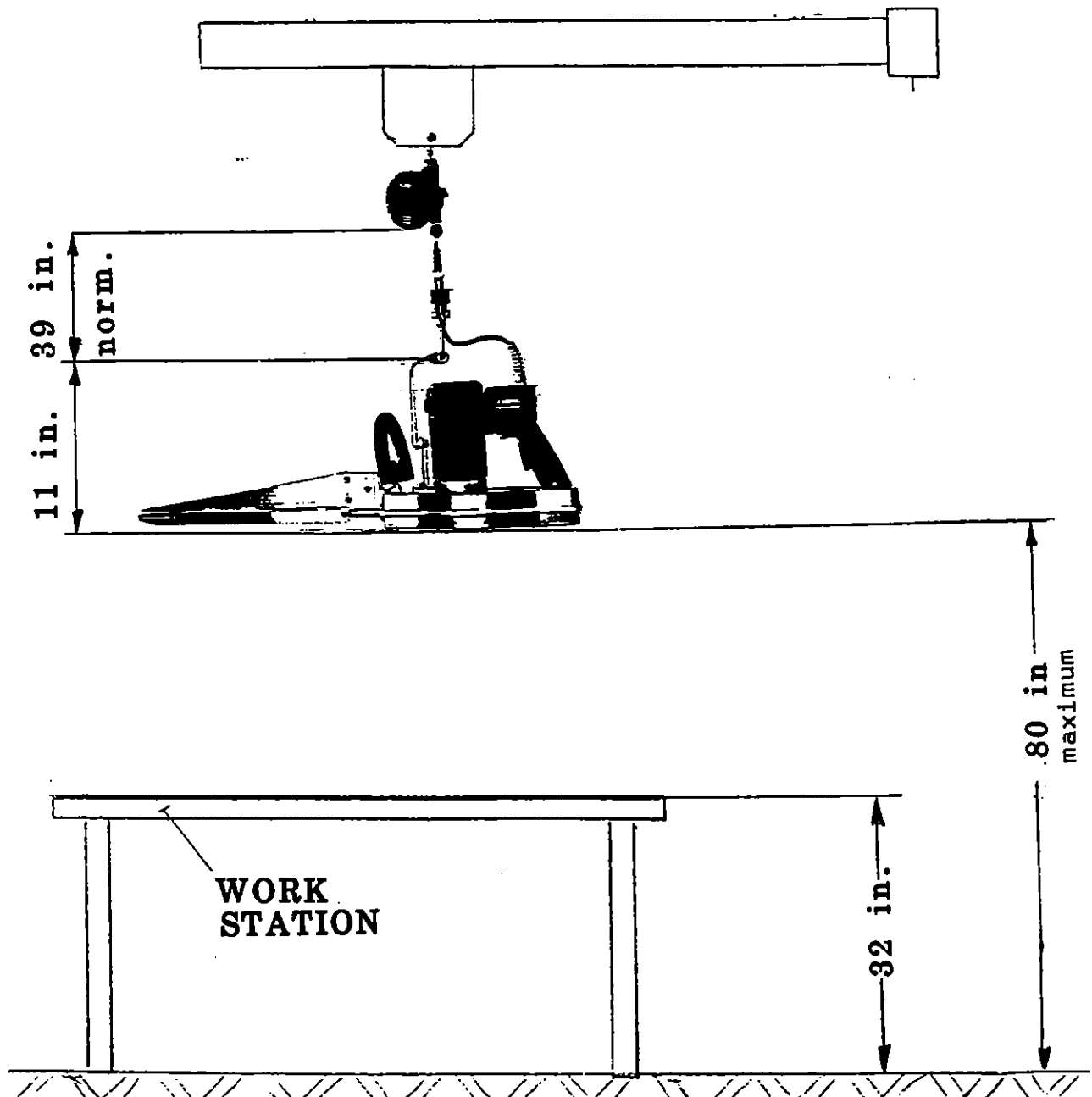
1. The saw is switched on by depressing the switch trigger in the rear handle.
2. By releasing the trigger the saw stops instantly.
3. The saw is to be introduced into the carcass at full running speed.
4. Make sure that the trigger stays depressed through the full cut.
5. Repeat these steps on each carcass.

IMPORTANT : If the saw stalls during cut - **DO NOT** attempt to re-start the saw while in the carcass. **REMOVE** the saw and repeat step No. 3.

IMPORTANT : NEVER TOUCH THE BLADE WITHOUT PROPER SAFETY GLOVES.

INSTALLATION DIAGRAM

“GT-30” & “GT-40”



CLEANING AND MAINTENANCE

ATTENTION : PRIOR TO CLEANING AND/OR MAINTENANCE, THE SAW MUST BE DISCONNECTED FROM THE POWER SOURCE.

DAILY MAINTENANCE

1. After every shift or latest after the daily work, the saw must be cleaned.
2. If cleaned with a high pressure water system, KEEP the spray away from the motor and handle assembly as much as possible. This will prolong the life of the saw.

IMPORTANT : THE SAW MUST NEVER BE SUBMERGED IN WATER

3. The blade needs to be slightly lubricated with USDA approved food grade grease to prevent rust.

NOTE : Remember to check the condition of the saw blade, if blunt it must be sharpened or replaced.

PERIODIC MAINTENANCE CHECK

1. Once a month the lower gear cover needs to be removed for the inspection, cleaning, repair and lubrication of the gear unit.
2. Use the same USDA approved grease in this application as described in daily maintenance.
3. Inspect the lower gear housing gasket for wear and replace approximately every (3) third inspection.
4. Every (6) months replace the guide bushings and the seal ring or as needed through periodic checking.
5. When reassembling the gear unit use a new gasket and observe the mounting position of the seal ring.

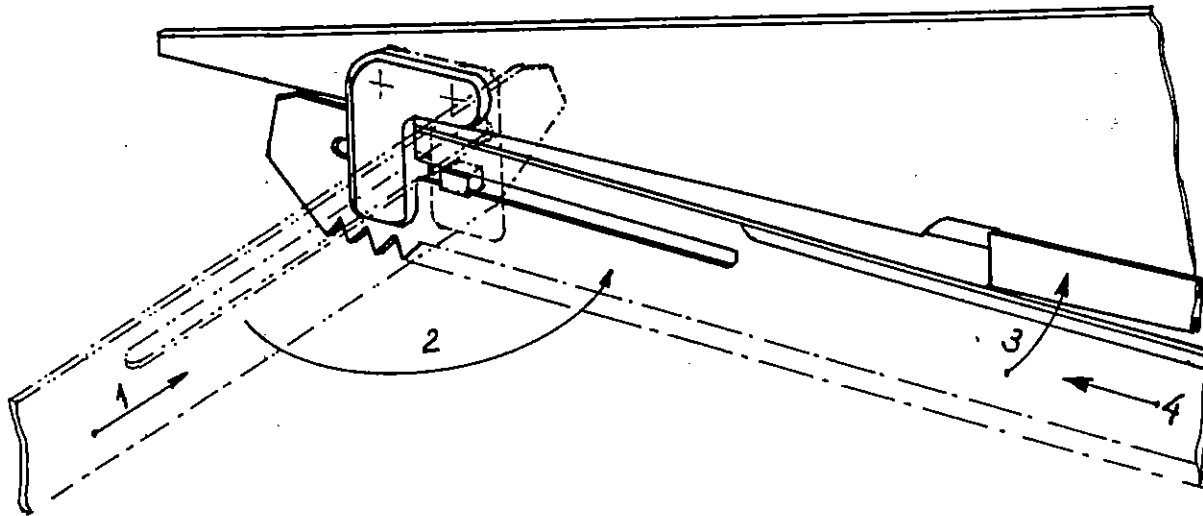
ELECTRICAL MAINTENANCE

IMPORTANT : It is a good practice to check the motor brushes approximately every 500 hours of operation. At this time you may find that the front brush has worn more than the rear. Replace the front brush at 500 hours and Both at 1000 hours to prevent damage to the rotor if the brush wears out totally.

SAW BLADE INSTALLATION & REMOVAL

Take the No. 9780081 Spanner Wrench (ref. no. 91 or 111) supplied with your tool and remove the No. 9780074 Screw (ref. no. 68). The screw should be turned in a counter-clockwise direction. After screw is removed, slide the blade out of the No. 9780070 Fore Guides (ref. no. 65) and remove.

To REPLACE the saw blade, reverse the above procedures making certain that the saw blade is properly seated in the No. 9780068 Slide Strip (ref. no. 63) and that the front slot of the blade is sliding freely in the No. 9780070 Fore Guides (ref. no. 65).



CONVERTING THE "GT-30" TO THE "GT-40"

If the tool is supplied as a Model "GT-30 with the 11 3/4" (298.40 mm) saw blade, it may easily and quickly be converted over to the Model "GT-40" by simply removing three (3) No. 9780071 Screws (ref. no. 66) and installing a No. 9780065 15 3/4" (400.05 mm) Guide Blade Complete (ref. no. 60). Replace the three screws making sure they are tight before placing the tool back into operation.

CONVERTING THE "GT-40" TO THE "GT-30"

If the tool is supplied as a Model "GT-40" with the 15 3/4" (400.05 mm) saw blade, it may be converted to the 11 3/4" Model using the same procedure as above with a No. 9780082 Guide Blade Complete (ref. no. 100). Make sure that the three screws are tight.

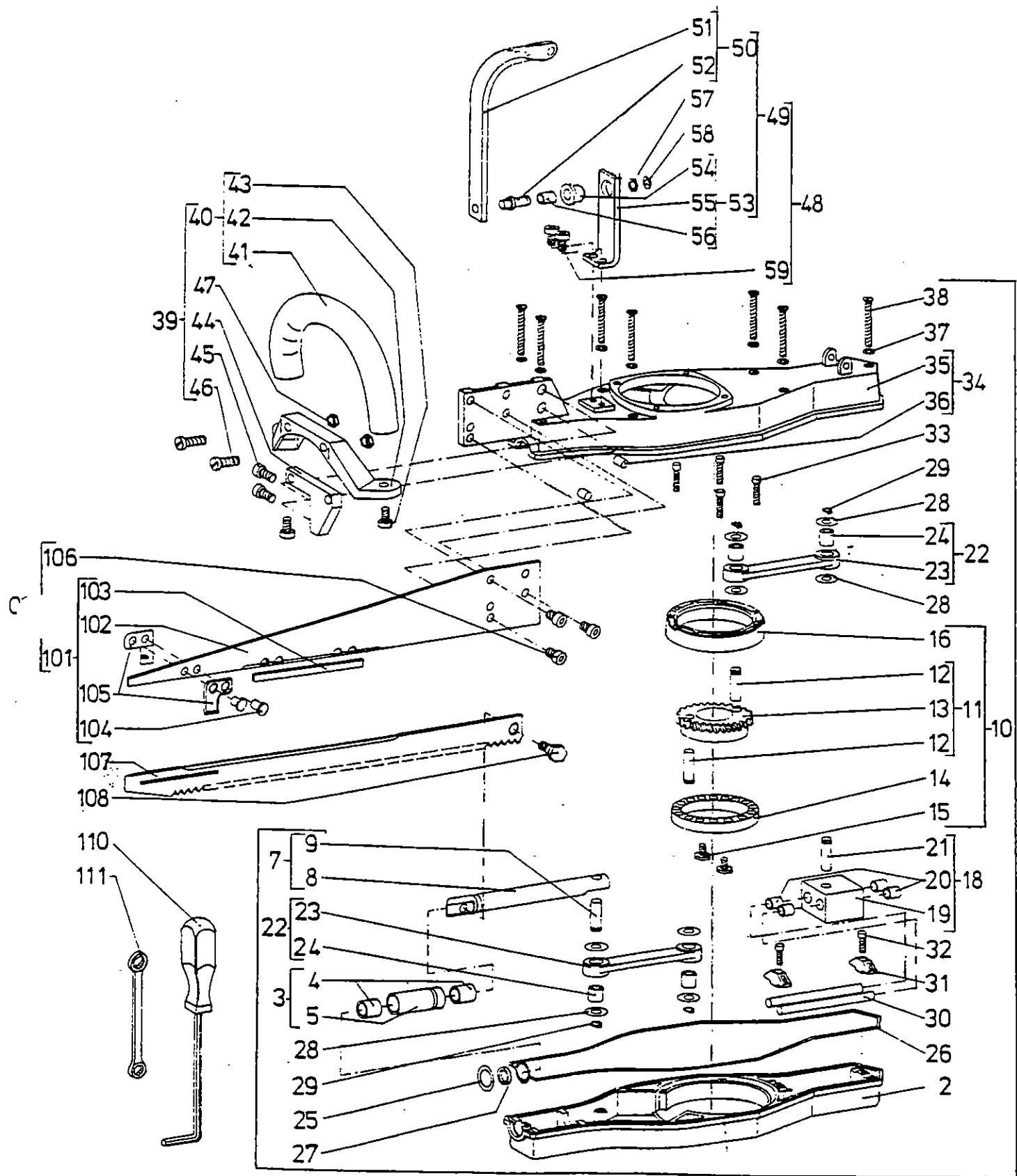
MODEL "GT-30" & "GT-40" MAIN DRIVE ASSEMBLY ... PARTS LIST ...

<u>DIAGRAM REFERENCE NUMBER</u>	<u>PRIME PART NUMBER</u>	<u>NUMBER REQUIRED</u>	<u>DESCRIPTION</u>
1	9780001	1	Gear Box Complete
2	9780002	1	Gear Casing, Lower Part
3	9780003	1	Pilot Sleeve, Preassembled
4	9780004	2	Slide Bearing
5	9780005	1	Pilot Sleeve
6			
7	9780006	1	Slide Bar, Preassembled
8	9780007	1	Slide Bar
9	9780008	1	Pin
10	9780010	1	Gear Wheel Complete
11	9780011	1	Gear Wheel Preassembled
12	9780008	2	Pin
13	9780014	1	Gear Wheel
14	9780015	1	Ball Bearing
15	9780016	2	Screw
16	9780017	1	Ring
17			
18	9780018	1	Counterweight Preassembled
19	9780020	1	Counterweight
20	9780021	4	Slide Bearing
21	9780008	1	Pin
22	9780022	2	Connecting Rod - Preassembled
23	9780023	2	Connecting Rod
24	9780024	4	Needle Bearing
25	9780025	1	Washer
26	9780026	1	Gasket
27	9780027	1	Seal Ring
28	9780028	8	Washer
29	9780030	4	Circlip
30	9780031	2	Guide Bar
31	9780032	2	Clamping Piece
32	9780033	2	Screw
33	9780034	4	Screw
34	9780036	1	Gear Casing - Upper Part - Preassembled
35	9780037	1	Gear Casing - Upper Part
36	9780038	2	Pin
37	9780039	7	Washer
38	9780040	7	Screw
39	9780042	1	Round Handle Complete
40	9780043	1	Round Handle - Preassembled
41	9780044	1	Round Handle
42	9780045	1	Traverse
43	9780046	2	Screw
44	9780047	1	Bracket
45	9780048	2	Screw

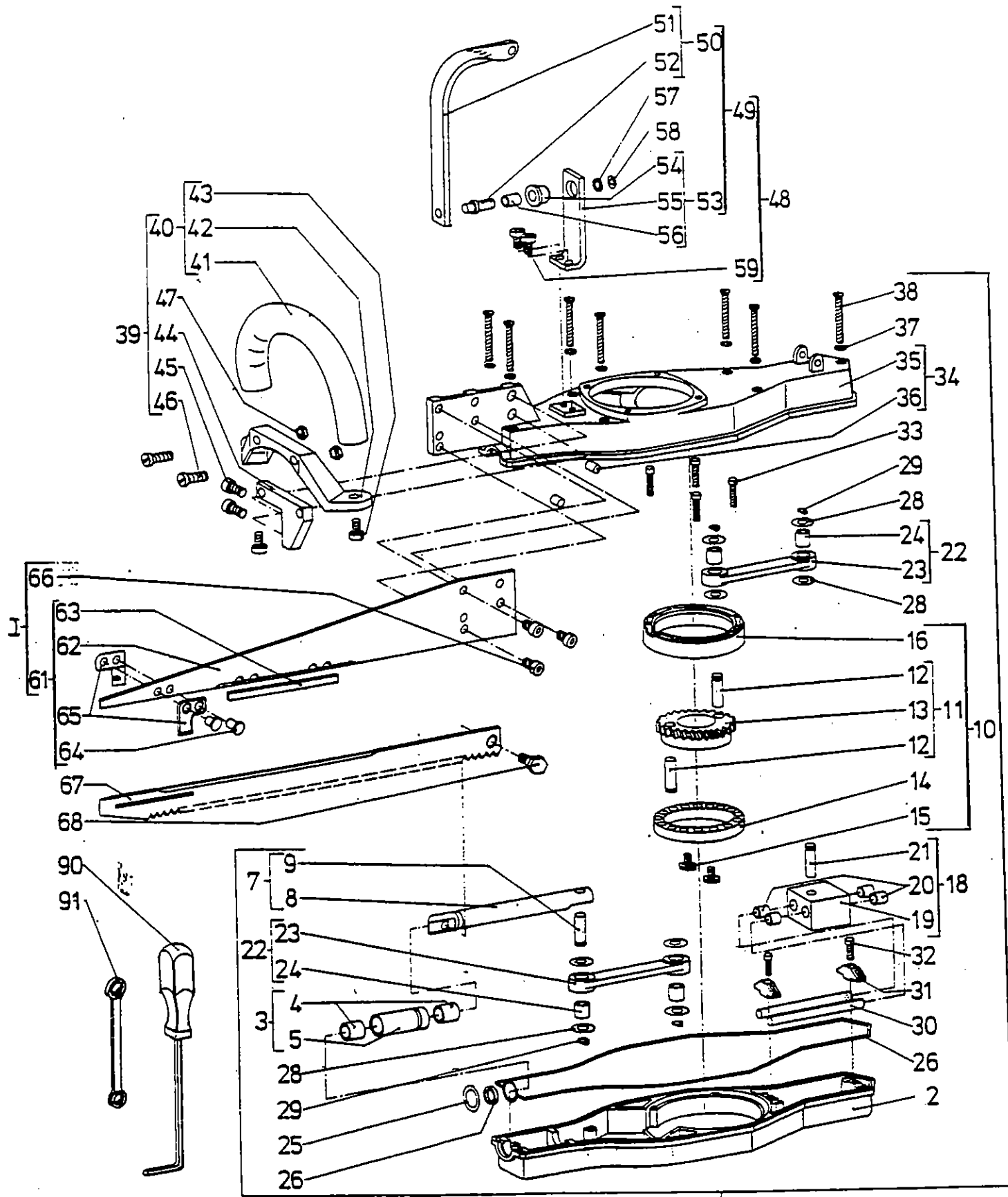
MAIN DRIVE ASSY. PARTS LIST (Cont'd)

<u>DIAGRAM REFERENCE NUMBER</u>	<u>PRIME PART NUMBER</u>	<u>NUMBER REQUIRED</u>	<u>DESCRIPTION</u>
46	9780049	2	Screw
47	9780051	2	Nut
48	9780052	1	Suspension Complete
49	9780053	1	Suspension Preassembled
50	9780054	1	Hanger Riveted
51	9780055	1	Hanger
52	9780056	1	Bolt
53	9780057	1	Angle Bracket - Riveted
54	9780058	1	Bearing Sleeve
55	9780059	1	Angle Bracket
56	9780062	1	Bearing
57	9780063	1	Washer
58	9780064	1	Circlip
59	9780046	2	Screw
60	9780065	1	Guide Blade Complete, 15-3/4"
61	9780066	1	Guide Blade Preassembled, 15-3/4"
62	9780067	1	Guide Blade, 15-3/4"
63	9780068	1	Slide Strip
64	9780069	2	Rivet
65	9780070	2	Fore Guide
66	9780071	3	Screw
67	9780072	1	Saw Blade, 15-3/4", Fine Pitch
68	9780074	1	Screw
90	9780080	1	Internal Hexagonal Spanner
91	9780081	1	Spanner
100	9780082	1	Guide Blade Complete, 11-3/4"
101	9780083	1	Guide Blade Preassembled, 11-3/4"
102	9780084	1	Guide Blade, 11-3/4"
103	9780068	1	Slide Strip
104	9780069	2	Rivet
105	9780070	2	Fore Guide
106	9780071	3	Screw
107	9780086	1	Saw Blade, 11-3/4", Fine Pitch
108	9780074	1	Screw
110	9780080	1	Internal Hexagonal Spanner
111	9780081	1	Spanner

"GT-30" GEAR UNIT & BLADE ASS'Y DIAGRAM



"GT-40" GEAR UNIT & BLADE ASS'Y DIAGR.



GT-30 & GT-40 MOTOR PARTS LISTING

REF. NO.	PART NO.	DESCRIPTION	QTY.
1	9780090	MOTOR, 115/1/60 PREASSEMBLED	1
	9780176	MOTOR, 230/1/60 PREASSEMBLED	1
2	9780091	REAR CASING - ASSEMBLED	1
3	9780092	REAR CASING	1
4	9780093	BRUSH HOUSING	2
5	9780095	PILOT SLEEVE	4
6	9780097	COIL ASSEMBLY - 115 VOLT	1
	9780173	COIL ASSEMBLY - 230 VOLT	1
8	9780099	CONNECTING CLIP	2
9	9780177	SUPPRESSOR - 230 VOLT ONLY	2
10	9780101	SCREW	2
11	9780102	WASHER	2
12	9780103	ARMATURE WITH BASE PLATE - 115 VOLT	1
13	9780104	ARMATURE - 115 VOLT	1
	9780172	ARMATURE - 230 VOLT	1
17	9780108	BALL BEARING	1
18	9780109	CIRCLIP	1
19	9780111	BEARING CAP	1
20	9780112	BALL BEARING	1
21	9780113	FELY RING	1
22	9780114	INTERMEDIATE BEARING	1
23	9780116	SCREW	3
24	9780117	SEAL RING	1
25	9780118	FORE CASING	1
26	9780119	CARBON BRUSH	2
27	9780120	BRUSH CAP	2
30	9780123	COVER	1
32	9780125	REAR HANDLE ASSEMBLED	1
34	9780127	DIAPHRAM	1
35	9780128	WASHER	1
36	9780129	THREADED RING	1
37	9780130	LEVER	1
38	9780131	SPRING	1
39	9780132	AXLE	1
40	9780133	GASKET	1
41	9780134	SCREW	4
42	9780135	CONDEMSOR	1
43	9780136	CONNECTOR	2
44	9780137	SCREW	4
45	9780138	SCREW	2
46	9780139	BACK-UP	1
47	9780140	SWITCH HOLDER	1
48	9780141	SWITCH	1
49	9780142	CLAMPING PIECE	1
50	9780143	HELICAL CABLE COMPLETE	1
51	9780144	HELICAL CABLE	1
52	9780145	BEND PROTECTOR	1
53	9780146	CABLE GLAND	2
54	9780147	RECEPTACLE	1
55	9780148	PLUG	2
56	9870149	CABLE CLAMP	1
57	9780150	SCREW	4
58	9780151	NUT	4
59	9780152	STRAIGHT CABLE COMPLETE	1
60	9780153	CABLE GLAND	1
61	9780146	SCREW	1
62	9780147	RECEPTACLE	2
63	9780148	PLUG	1
64	9780154	BLANK PLUG	1
65	9780155	LOCK NUT	1
66	9780156	GASKET	1
67	9780157	COVER	1
68	9780158	SCREW	2
69	9780159	SCREW	2
70	9780155	LOCK NUT	1

"GT-30" & "GT-40" MOTOR & HANDLE DIAGRAM

