

AIR OPERATED

**MODEL "SS7"  
SHEEP BRISKET OPENER  
AND  
MODEL "SS7-M"  
CALF BRISKET SHEAR**

**INSTALLATION...OPERATING  
MAINTENANCE INSTRUCTIONS &  
PARTS LIST**

**USDA  
APPROVED**



FOR MORE INFORMATION, CONTACT:

**BEST & DONOVAN**

5570 Creek Road, Cincinnati, OH 45242, USA

TOLL FREE:  
TELEPHONE:  
CABLE:  
FAX:

1-800-553-2378  
(513) 791-9180  
WEPCO  
513-791-0925

# MODELS "SS7" & "SS7-M"

**IMPORTANT**

INSPECT YOUR B & D MODEL "SS-7" AIR BRISKET OPENER FOR POSSIBLE DAMAGE AS SOON AS YOU RECEIVE IT. IF YOU DISCOVER ANY DAMAGE, NOTIFY CARRIER'S AGENT AT ONCE & REQUEST HIM TO INSPECT THE DAMAGE, ALSO NOTIFY BEST & DONOVAN.

## LOCATION

The ideal operating position is immediately after gutting and before removal of the pluck.

## AIR SUPPLY

Working Pressure ..... 80-90 p.s.i.

Approximate Consumption ..... 0.2 c.f./cycle.

Air must be supplied through a No. 6337893 - 1/2" Air Filter/Lubricator/ Regulator Unit so that air at the correct pressure is supplied to the Model "SS7" Brisket Opener.

## SAFETY

The "SS7" requires both hands to operate. Operating trigger cannot be actuated unless safety (left hand) handle has been twisted.

## COUNTERBALANCING

No. 6338900 Counterbalancer 7 Ft. (2.1 m) is recommended.

## DAILY MAINTENANCE

Clean thoroughly after work.

Check blades for sharpness -- if necessary, touch up with half round fine stone

Oil all moving parts.

Check air filter and clean if necessary.

Top-up air lubricator.

Check safety hook on Counterbalancer.

## WEEKLY MAINTENANCE

Thoroughly check blades, if necessary, remove for sharpening - pivot pin to be lightly greased before reassembling.

Check all air connections and hoses for leaks.

Check and lubricate No. 6338900 Overhead Counterbalancer.

Dismantle safety handle by removing Cap-Screw (Ref. 33) grease and check Spring (Ref. 31) for torque.

## SPECIFICATIONS

Overall Length:	19 Inches (483mm)
Width:	7½ Inches (190mm) Includes Side Handle
Height:	18-¾ Inches (475mm)
Blade Opening:	4-¾ Inches (120mm)
Net Weight:	11½ Kg.
Cylinder:	Brass Plated 2½" bore X 5/8" stainless steel rod X 4½" stroke

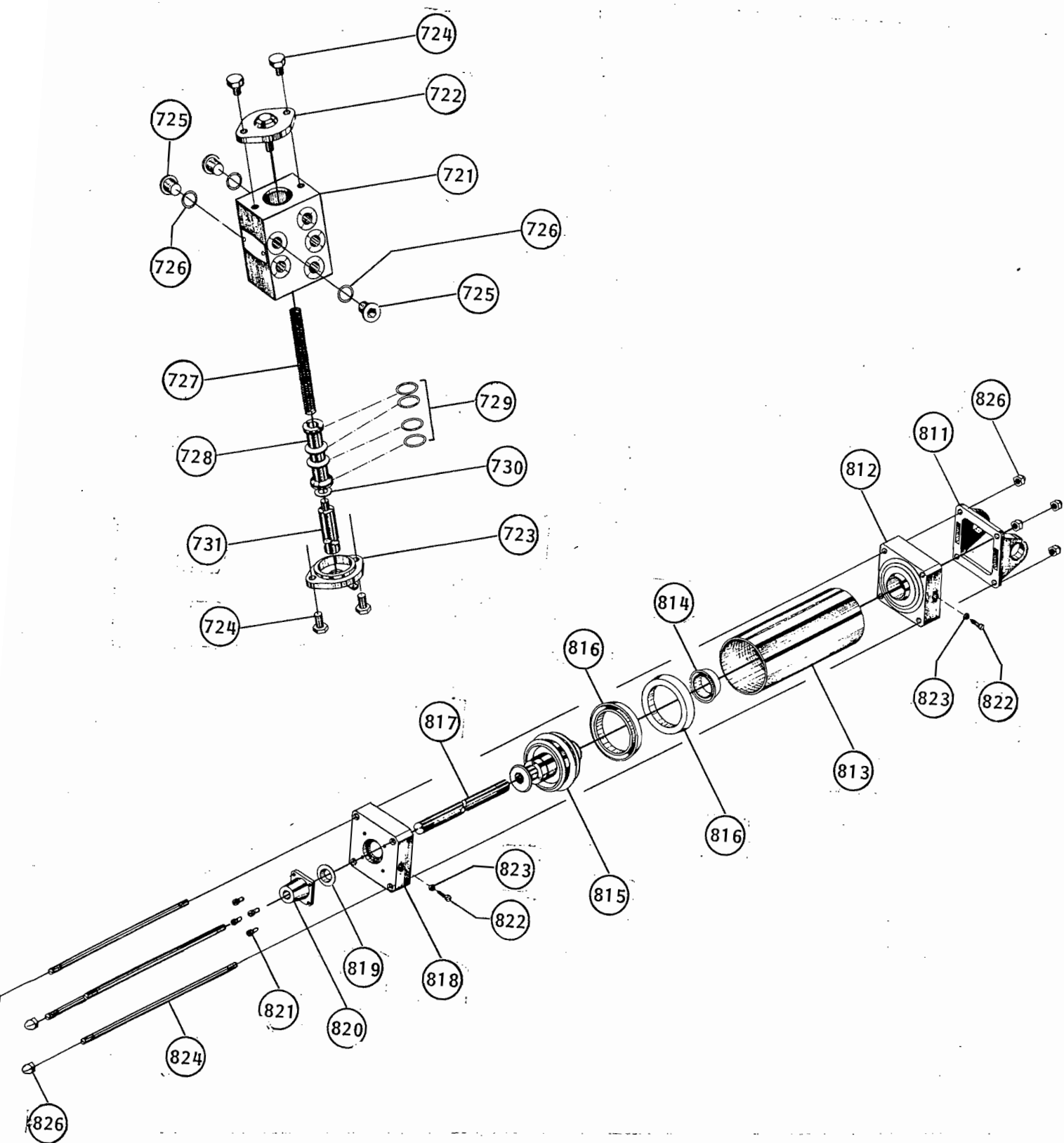
### WARNING

This unit is designed to cut off any object placed between its blades. NEVER PLACE your FINGERS, HANDS or any part of your person between blades for any reason.

**Please Specify Serial Number  
When Ordering Replacement Parts**

# PARTS DIAGRAM

## "SS7" & "SS7-M"



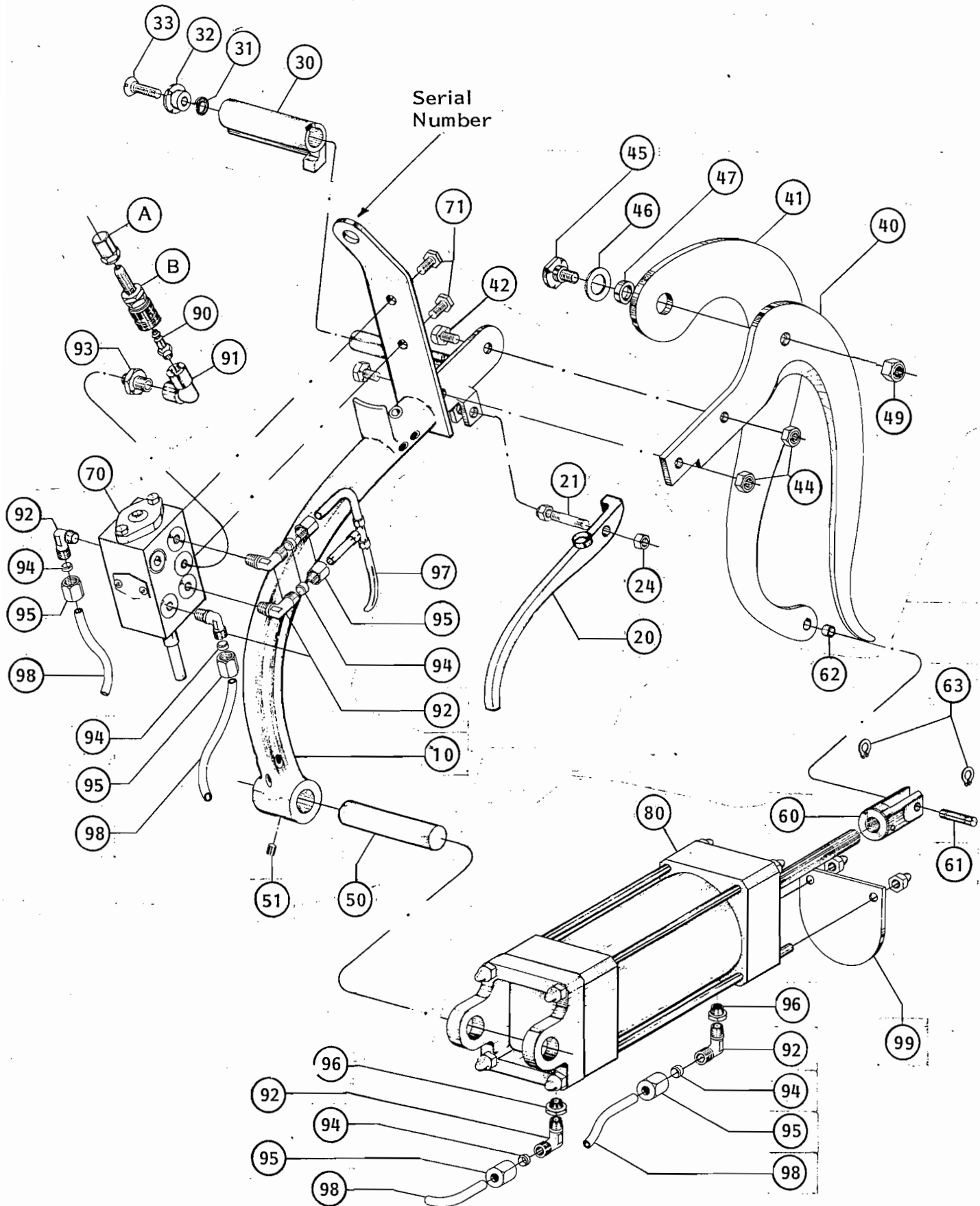
# PARTS LIST

PRIME NO.	REF.NO.	DESCRIPTION
9720000	10	Main Frame & Handle
9720100	20	Operating Trigger
9720200	21	Trigger Pivot Pin
9720300	24	Trigger Pivot Pin Nut
9720400	30	Safety Handle
9720500	31	Safety Handle Spring
9720600	32	Safety Handle Cap
9720700	33	Safety Handle Cap Screw
9720800	40 *	Cutter Blade Right (Order under 9721050)
9720900	41 *	Cutter Blade Left (Order under 9721050)
9721050	40-A *	Cutter Blades (Pair)-inclds 9720800 & 9720900
9721000	42	Cutter Blade Securing Bolt
9721100	44	Cutter Blade Securing Bolt Nut
9721200	45	Cutter Blade Pivot Pin
9721300	46	Pivot Pin Brass Washer
9721400	47	Pivot Pin Bushing
9721600	49	Pivot Pin Nut
9721700	50	Trunnion Pin
9721800	51	Trunnion Pin Securing Screw
9721900	60 *	Yoke
9722000	61 *	Yoke Pin
9722100	62	Yoke Pin Bushing
9722200	63	Yoke Pin Circlip
9723350	70	Control Valve Complete
9723400	71	Control Valve Securing Bolts
9724650	80 *	Operating Cylinder Complete
9722300	90	Quick Coupling Male
9722400	91	Elbow Fitting Female
9722500	92	Elbow Fitting Male
9722600	93	Barrel Nipple
9722700	94	Sleeve
9722800	95	Nut
9722900	96	Reducing Bushing
9723000	97	Exhaust Manifold
9723100	98	Hose
9723200	99	Guard Plate
9723500	721	Body
9723600	722	Top Cover
9723700	723	Bottom Cover
9723800	724	Cover Set Bolts
9723900	725	Plug

\* Suitable for Model "SS-7" ONLY. Refer to Page - 7 for "SS7-M" Blades & Parts

# PARTS DIAGRAM

## "SS7" & "SS7-M"



# PARTS LIST

PRIME NO.	REF.NO.	DESCRIPTION
9724000	726	Plug Seal
9724100	727	Spring
9724200	728	Bobbin
9724300	729	"O" Ring
9724400	730	Retaining Washer
9724500	731	Plunger
9724700	811	Trunnion Mounting
9724800	812	* Rear End Cover
9724900	813	* Barrel
9725000	814	* Cushioning Seal (order under 9726350)
9725100	815	* Piston
9725200	816	* Piston Seal (order under 9726350)
9725300	817	* Piston Rod
9725400	818	* Front End Cover
9725500	819	* Gland Seal (order under 9726350)
9725600	820	* Nose Bearing
9725700	821	Nose Bearing Screws
9725800	822	Cushioning Adjustment Screw
9725900	823	Cushioning Adjustment Screw Seal
9726000	824	* Tie Rod - Lower
9726100	825	* Tie Rod - Upper
9726200	826	Tie Rod Nuts
9726350		Seal Kit Complete Includes 9725000-9725200-9725500

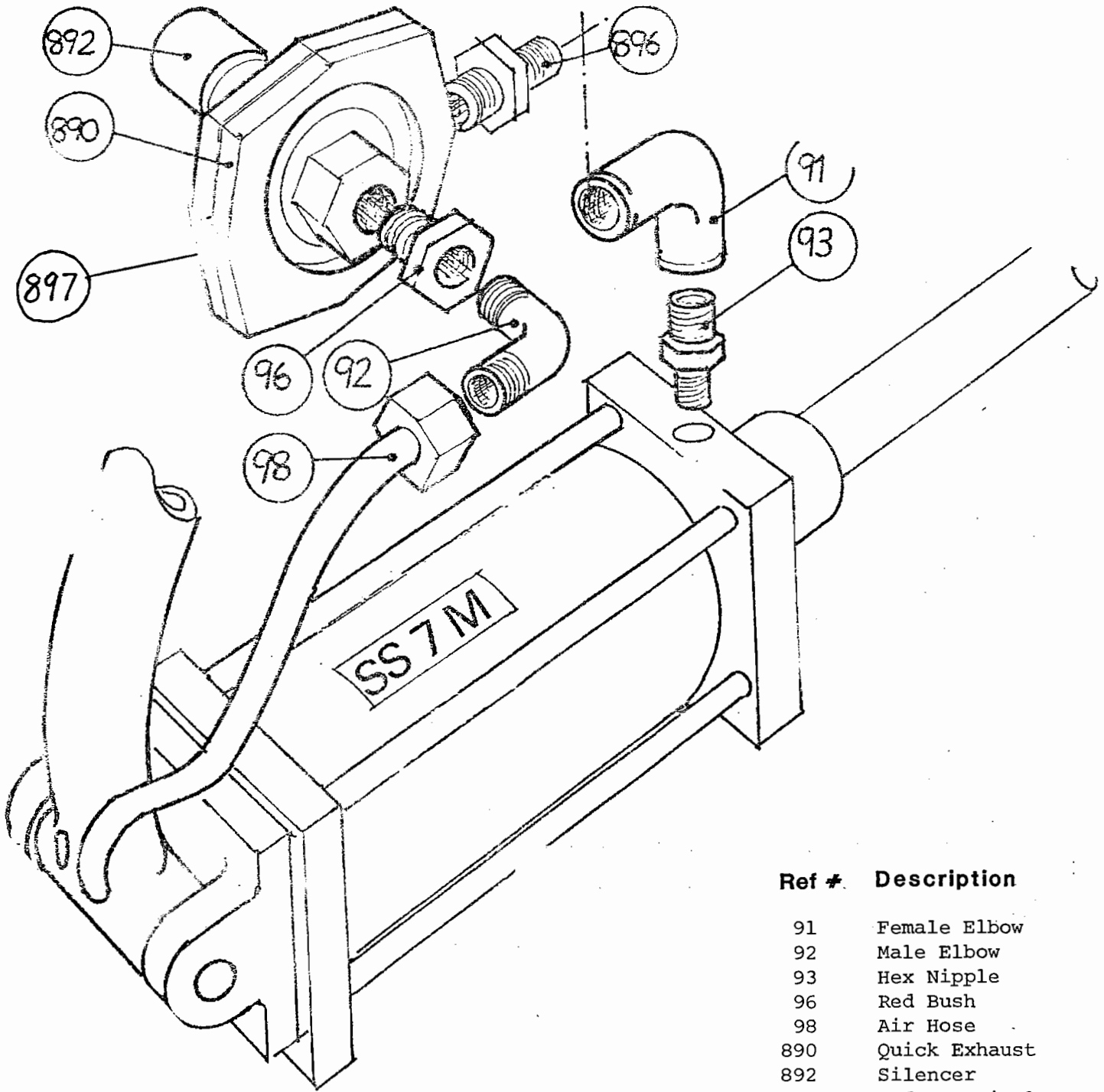
\* Suitable for Model "SS-7" ONLY.

*Note:- Refer to page 7 for blades and special heavy-duty parts for "Modified" version of the "SS-7"*

## ORDERING REPLACEMENT PARTS

The "SS-7" has been carefully engineered and manufactured by Best & Donovan and should provide efficient and dependable operation for many years. However, if you ever need technical assistance or replacement parts, please contact Best & Donovan.

# AIR MODEL 'SS7-M' PARTS DIAGRAM



Ref #	Description
91	Female Elbow
92	Male Elbow
93	Hex Nipple
96	Red Bush
98	Air Hose
890	Quick Exhaust
892	Silencer
896	Red Hex Nipple
897	Diaphragm for #890 (#9729700)

**BEST & DONOVAN**

5570 CREEK RD. / CINCINNATI, OH 45242



# MODEL "SS7-M" CALF BRISKET SHEAR

PRIME PART NUMBER	REF. NBR.	DESCRIPTION
9728050	40-41	Modified Blades, Heavy-Duty
9728300	820	Nose Bearing - Special
9728400	818	Front End Plate
9728500	813	Barrel
9728600	815	Piston Heavy-Duty
9728700	817	Piston Rod Heavy-Duty
9728800	812	Rear End Cover
9728900	824/825	Tie Rod
9729000	811	D-Mount
9729150	814-816- 819	Seal Kit
9729200	60	Yoke Heavy-Duty
9729300	61	Yoke Pin
9729450	80	Cylinder Complete Heavy-Duty

*Note: The above parts are suitable only for the "SS7-M"*