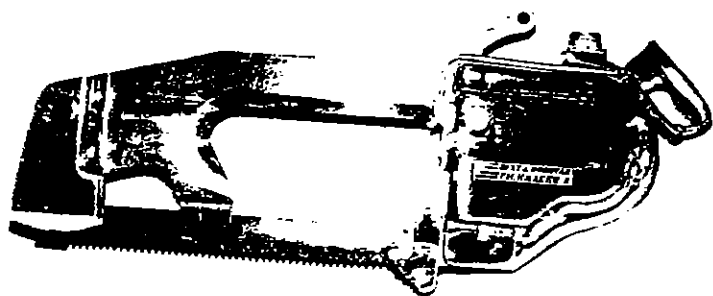
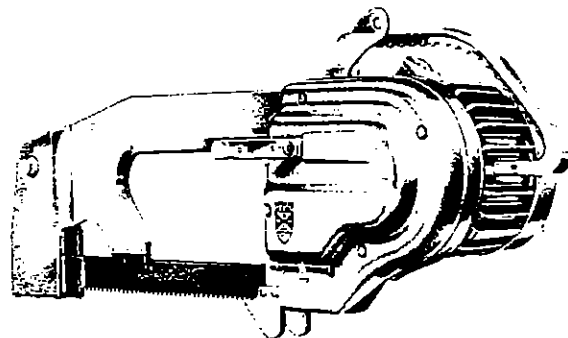


# PARTS AND SERVICE MANUAL

## PACEMAKER "I" & "II"



Rear Control Handle



Left Side Control Handle

### INSTALLATION OPERATING MAINTENANCE INSTRUCTIONS PARTS LIST



**BEST & DONOVAN**

5570 Creek Road, Cincinnati, OH 45242, USA

TOLL FREE: 1-800-553-2378  
TELEPHONE: (513) 791-9180

CABLE: WEPCO  
FAX: 513-791-0925

# PREVENTATIVE MAINTENANCE INSTRUCTIONS

for

## BEST & DONOVAN'S 'PACEMAKER II' RUMPBONE SAW & CARCASS SPLITTER — 3 HP

### LUBRICATION

The 'Pacemaker II' is easily maintained by four (4) pressure grease fittings, two (2) of which are located on the No. 6230060 saw driving arm and one (1) on the No. 6214000 support bracket. These fittings are accessible thru No. 6261600 flip door located on No. 6261000 cover.

These pressure fittings should be lubricated at least twice per day during an eight hour shift, as they supply lubrication to the bearings in the driving mechanism and to the 6217693 needle bearing. Use a good grade bearing grease in the 2102900 grease gun furnished, with your machine.

6026093 bearing is packed with a specified grease to prolong its life. When this bearing needs replacement you should either order it from Best & Donovan or repack a standard bearing with our grease — 6270000 provided in one quart containers. The 6280993 rocker arm bearing should be lubricated every eight hour working period. These bearings can be lubricated through the 6036093 grease fittings in rocker arm pivot stud.

### SAW BLADE

Two saw blades are available for the 'Pacemaker II' Beef Carcass Splitter:

(1) No. 6100500 Type "SS" 3 tpi 32" length 2-11/16" width

(2) No. 6100600 Type 'A' 2 tpi 32" length 2-11/16" width

The saw blade is removed by removing No. 6231000 and 6281300 saw pins after unclipping No. 6230500 and 6281100 retaining springs and then sliding the blade toward the rear of the machine.

When replacing the saw blade it is recommended that the outer end of the blade be lubricated with a good grade oil before inserting in the 6280600 Front Saw Guides.

### EXTENSION SAW GUIDE 6280350

The Extension Saw Guides should be checked at regular intervals for proper clearance in relation to the saw blade. Excessive clearance will allow unnecessary vibration which will result in blade breakage or buckling, and also places severe strain on the driving mechanism parts. Worn guides should be replaced immediately to avoid damage to your machine.

### 6075500 BUSHING LINERS

NYLON bushing liners are recommended for the 'Pacemaker II' saw blades. After inserting new bushing liners, be certain they slide freely on the 6231000 saw bolt.

It is recommended that new bushing liners be installed each time your blades require sharpening. Should the bushing liner fit snug on the 6231000 saw bolt, take the 6099800 reamer (supplied with your machine) and ream the nylon bushing liner thus allowing it to slide freely on the saw bolt.

If the bushing liner fits tight on the saw bolt, and is placed into operation, it will cause jamming and as a result severely damage your machine.

## **6280600 FRONT SAW GUIDES**

The 6280600 Front Saw Guides should be inspected at regular intervals. They should be sprayed-off with hot water (or steam) at least twice per day during an eight (8) hour shift. This will prevent the guides from becoming caked with blood and gunk.

If the guides become worn and permit the blade to SLAP in the slots, loosen the (6) 9900441 bolts that hold the front saw guides. Adjust the guides by pushing them toward the blade. Retighten the six bolts and check for any deflection in the blade. It is important that the blade move in a straight line at all times.

## **DRIVING MECHANISM**

For best service and operation on the 'Pacemaker II', it is recommended that after forty (40) hours operation, or once each week, whichever may arrive first, the 6261000 cover be removed to better clean and check the internal parts.

### **6261000 COVER**

To remove the cover, the following steps should be followed:

- (1) remove the 6052559 line wire complete
- (2) remove the four No.'s 9901448 and 9901454 hex head bolts
- (3) remove cover

### **6230060 SAW DRIVE ARM**

Saw Drive Arm should be free to oscillate with very little side movement. No. 9901759 nut should be tight. No. 6231000 saw pin should be a tight fit, with no slack.

### **6035060 DRIVING ARM STUD**

Driving Arm Stud should be rigid. No. 9901172 screws should be tight.

### **6225500 CONNECTING ROD**

Connecting Rod should have no side movement. No. 9901758 nut and two (2) No. 9901178 screws should be tight.

### **6214000 SUPPORT BRACKET**

Support Bracket should be rigid. No. 9901372 screw and No. 9901178 screw should be tight. No. 6215060 Grease Tube Assembly should be in place.

### **6220500 CRANK-6220600 COUNTERWEIGHT**

On Crank and Counterweight Assembly, No.'s 9901189 and No. 9901303 Screws should be tight. To remove the drive components, the following steps should be followed:

## **REMOVAL OF DRIVER MECHANISM PARTS**

To remove No. 6214000 Support Bracket:

- (a) Loosen 9901178 Clamping Screw
- (b) Remove two (2) No. 9901372 Screws
- (c) Use the cover screw 9901454 as a puller in the center hole of the bracket to push it away from the main frame, ease two arms up at the same time, so they won't bind.



To remove No. 6220600 Counterweight:

- (a) Remove three (3) No. 9901303 Screws
- (b) Loosen No. 9901189 Screw on Counterweight
- (c) Then use a standard wheel puller to remove counterweight.

To remove No. 6230060 Saw Driving Arm, No. 6225500 Connecting Rod, No. 6220500 Crank and Connected Parts:

- (a) Remove No. 9901759 Lock Nut and No. 6238100 Washer
- (b) Loosen No. 9901189 Screw on Crank
- (c) Then use a standard wheel puller to remove crank, connecting rod and saw driving arm.

Caution: Do not lose or damage spacer in No. 6232000 Bearing.

To remove No. 6230060 Saw Drive Arm:

- (a) Remove No. 9901758 Nut
- (b) Loosen two (2) No. 9901497 Screws
- (c) Remove No. 6228000 Bearing Bolt

Caution: Do not lose or damage spacer in No. 6228493 Bearing or No. 6228600 Bearing Seal.

To remove No. 6225500 Connecting Rod:

- (a) Drive out three (3) No. 9902070 Roll Pin
- (b) If No. 6026093 Ball Bearing is to be replaced press out No. 6220800 Crank Journal. If Crank Journal is loose in ball bearing, replace both bearing and journal.

To remove No. 6280700 Rocker Arm:

- (a) Remove 6281900 Screws (3)
- (b) Remove 6281800 Cover
- (c) Remove 6281600 Screws (3)
- (d) Loosen and remove 8847000 Locknut
- (e) Remove 6281400 Pivot Stud
- (f) Remove 6280700 Rocker Arm

## **No. 6228493 and No. 6232000 Bearings**

These individual bearings are matched at the factory to give correct fit and must be used as a set. The "C" Ring in the No. 6230060 Saw Drive Arm can be substituted (i.e. left in arm) if it is within .002" in thickness of "C" Ring in new bearing. Pack with grease.

To remove No. 6289100 Motor:

- (a) Remove three (3) No. 9901308 Bolts and remove No. 6006500 Fan Cover
- (b) Loosen No. 9901893 Fan Set Screw and remove No. 6006500 Fan
- (c) Remove No. 6000793 Plug, one (1) 9901314 and Three (3) No. 9901318 Bolts and remove No. 6000000 Motor Housing and Stator.
- (d) Grip No. 6009000 Rotor in a vice and remove No. 6013093 Bearing Lock Nut. A special wrench No. 6112500 is available from factory. Then remove rotor.

## 6295000 HANGER

The 6295000 Hanger can be removed by tapping out the No. 6096000 Hanger Stud snap ring assy from the motor side.

## 6011593 FRONT MOTOR BEARING

The 6011593 Bearing may be removed by taking out the four (4) 9901149 Screws and the 6012000 Lock Ring. Tap the bearing from the stator side.

## 6035060 DRIVING ARM STUD

To remove, first unscrew the three (3) 9901172 screws and second, tap out stud from stator side of main frame.

ALL BALL BEARINGS THAT NEED REPLACEMENT, SHOULD BE REPLACED WITH THE SAME TYPE BEARINGS USING PROPER BEARING MOUNTING TOOLS (available from factory). CARE SHOULD BE TAKEN SO NOT TO DAMAGE BEARINGS. BE SURE ALL BEARINGS HAVE PROPER FIT.

## REASSEMBLY

To reassemble the 'Pacemaker II', reverse removal procedures. Be sure all parts are clean. Note Following:

- (a) No. 6283200 Hanger Stud is a tight fit and is inserted in Main Frame from crank side.
- (b) Be certain to replace the No. 6004093 Spring at the rear of the No. 6003593 Motor Bearing. Leave fan cover off until drive mechanism is installed.
- (c) After replacing No. 6228000 Bearing Bolt (from short leg side of connecting rod) tighten one (1) 9901178 screw so that No. 9901758 Nut can be tightened, then loosen screw. Be sure not to loose small spacer in No. 6228493 Bearing.
- (d) Position No. 6220500 Crank on rotor shaft so that 3-1/4" Dia face is approximately 7/16" above face of main frame. A thin wedge in saw slot will help in positioning. Remove wedge and tighten No. 9901189 screw.
- (e) Replace No. 6230060 Saw Drive Arm and No. 6225500 Connecting Rod with No. 6026093 Bearing and No. 6220800 Journal installed being careful not to lose small spacer in No. 6232000 bearing. Replace No. 6238100 washer and tighten No. 9901759.
- (f) Replace No. 6220600 Counterweight using thin wedge, pull counterweight up to journal and crank with (3) No. 9901303 screws. Remove wedge and tighten No. 9901189 screw. If a new No. 6220800 journal or No. 6220500 crank is used the three 5/16" dia holes will need to be drilled for the three (3) No. 9902070 Roll Pins.
- (g) Rotate crank with fan to be sure mechanism is free. Move end of connecting rod in or out as required, then tighten two (2) No. 9901178 screws in connecting rod.
- (h) Replace No. 6214000 support bracket, be sure there is clearance between it and counterweight, tighten two (2) No. 9901372 screws.

# PARTS LIST

Part No.	Description	Part No.	Description
1046200	1 Strain Relief 24/42 Volt	6051600	5 Male Post - Plain
1057093	1 Bearing	6051700	1 Male Post with Lug
1106200	1 4-Wire Male Coupling Twistlock	6052559	1 Waterproof Linewire Complete
1107600	1 2-Wire Male Coupling Straight	6052600	1 6-Wire Power Cord 16 Ft.
+ 1131393	1 Portable Cable 24 Volt	6053000	1 6-Wire Female Cplg Assy w/6053193 Strain Relief
+ 1131593	3 Wire Conn. 24 Volt	6053193	1 Strain Reliever
+ 1114893	2 Wire Conn. 42 Volt	6053293	1 Nut to Secure 6053193
+ 1115193	1 Red Wire 600 Volt (1 Ft.)	6053393	1 6-Wire Plug Shell
+ 1115293	1 Black Wire 600V (1 Ft.)	6053401	1 Screw with Insulator
+ 1117093	1 600V Cable (Wire Only)	6053593	1 Large Nut for 6053000
1121493	3 Split Bolt Wire Conn. 42V	6053700	1 6-Wire Female Insert Cplg
1131193	1 Strain Relief 24V	6053800	5 Female Post - Plain
2102900	1 Grease Gun	6053900	1 Female Post with Lug
2108000	1 Grease Gun Nozzle	6054093	1 Wire Clip
6001511	1 Stator 220/380-3-50/60	6054100	1 Gasket
6001513	1 Stator 220/440-3-60	6056200	1 Cable Coupling 42V
6001514	1 Stator 110-3-60	6075500	1 Saw Bushing Liner
6001516	1 Stator 220-3-60	6086000	1 Rear Saw Guide Spacer
6001517	1 Stator 440-3-60	6086500	2 Rear Saw Guide Shim (As Req'd)
6001518	1 Stator 110/220-3-60	6086570	Shim (As Req'd)
6001521	1 Stator 550-3-60	6086600	Shim .005 (As Req'd)
6001522	1 Stator 440-3-60	6086700	Shim .010 (As Req'd)
6001523	1 Stator 400-3-50	6087000	1 Filler Block - Tailholder
6001524	1 Stator 42-3-50	6088500	2 Tailholder
6001525	1 Stator 110-3-50	6096193	1 Snap Ring - Hanger Stud
6001527	1 Stator 415-3-50	+ 6099500	1 T-Wrench 9/16"
6001528	1 Stator 110/380-3-50	+ 6099700	1 Saw Bushing Knocker
6001531	1 Stator 24-3-50	+ 6099800	1 Reamer 5/16"
6003593	1 Rear Motor Bearing	6100500	1 Saw Blade 3 tpi
6004093	1 Loading Spring	6100600	1 Saw Blade 2 tpi
6005000	1 Fan	+ 6117093	1 Grease Injector
6005593	1 Fan Key	6210055	1 Main Frame
+ 6005600	1 Fan Spacer	6214000	1 Support Bracket
6006500	1 Fan Cover	6215060	1 Grease Tube Assy
6009000	1 Rotor & Shaft S.A.	6018293	1 Needle Bearing
6011593	1 Front Motor Bearing	6220500	1 Crank
6012000	1 Lock Ring for 6011593	6220600	1 Counterweight
6013093	1 Bearing Locknut	6220800	1 Crank Journal
6018000	1 Inner Race	6225500	1 Connecting Rod
6026093	1 Ball Bearing for 6225500	6228000	1 Bearing Bolt
6026593	1 Retaining Ring	6228200	1 Sleeve
6035060	1 Driving Arm Stud S.A.	6228493	1 Bearing Complete (Less 6228600 Seal)
6036093	3 Grease Fitting	6228600	2 Bearing Seal
6040000	1 Gasket (Bracket to Motor)	6230060	1 Saw Drive Arm
6048300	1 Washer	+ 6230200	1 Saw Drive Arm Kit Complete
6050000	1 Plug Shell Base	6230500	1 Retaining Spring
6050001	2 Screw to Lock 6051500	6230793	1 Shoulder Screw
6050500	1 Gasket for Base	6230800	1 Spacer for 6230793
6051093	4 Mounting Screw	6231000	1 Saw Pin
6051193	4 Lockwasher	6232000	1 Bearing Complete (Less 6238100)
6051500	1 6-Post Male Insert Cplg Assy		
+ Listed But Not Illustrated			

# PARTS LIST

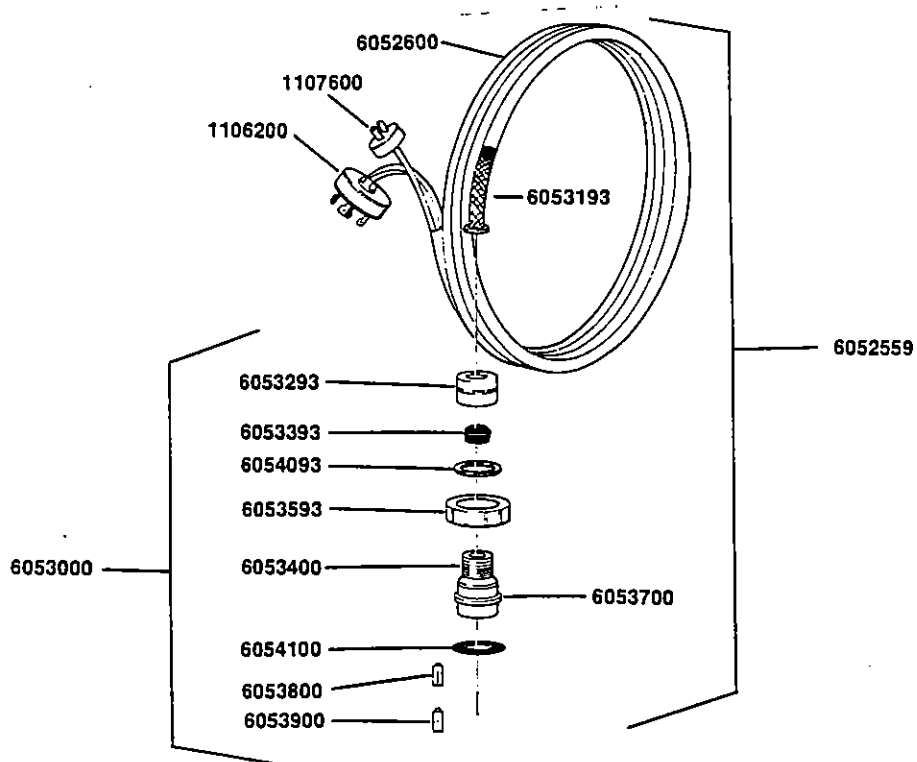
Part No.	Description	Part No.	Description
6238100	1 Saw Stud Washer	6288600	1 Rubber Cover Cord
6261000	1 Saw Cover	6288610	1 Conn.(2 Cond.) w/Wire 7"
6261200	1 Pivot Plate	6288615	1 Switch
6261400	1 Insert, Flip Door	6288620	1 Protective Rubber Boot
6261600	1 Flip Door	6288625	1 Pushbutton
6261900	1 Plunger	6288630	1 Spring
6262000	1 Rubber Spring	6289100	1 Motor Housing
6262500	1 Saw Blade Door	6289200	1 Name Plate
6262600	1 Latch Pin	6289300	1 Top Plate
6262700	1 Latch Spring	6289460	1 Top Handle Bracket
6262800	1 Insert	6289600	1 Connection Box
+ 6270000	1 Bearing Grease 1 Qt	6289850	1 Wire Harness Assembly
6270200	1 Cond.w/Ground 42V-12'	6289950	1 42V Wire Harness
6280050	1 Saw Yoke Complete Assy Ready to Mount	6289951	1 24V Wire Harness
6280060	1 Saw Yoke ONLY	6295000	1 Hanger
6280350	1 Extension Saw Guide (set)	6299100	2 Hinge Pin
6280400	1 Extension Saw Guide LH	6299200	2 Spring
6280500	1 Extension Saw Guide RH	6306100	1 Pin
6280600	2 Front Saw Guides (set)	6340200	1 Counterbalancer 7' Cbl Tvl
+ 6280610	1 Nose Guard	6341000	1 Counterbalancer 9' Cbl Tvl
6280700	1 Rocker Arm	6367100	1 Throttle Lever
6280760	1 Rocker Arm S.A.	8517800	1 Filler Block 24/42V
6280893	2 Ret. Snap Ring	8518000	1 Conn. Block Cover 42V
6280993	2 Bearing	8518024	1 Conn. Block Cover 24V
6281000	1 Spacer	8847000	1 Locknut
6281100	1 Ret. Spring	8847193	1 Lockwasher
6281200	1 Screw	9900088	2 Plate Screw
6281300	1 Ret. Pin	9900215	4 Screw
6281460	1 Rocker Arm Pivot S.A.	9900339	2 Screw
6281465	1 Rocker Arm Pivot Stud with Fitting	9900341	3 Screw
6281600	3 Screw	9900342	2 Flat Head Machine Screw
6281700	1 Locknut Liner	9900400	1 Flat Head Machine Screw
6281800	1 Cover	9900402	1 Screw
6281900	3 Screw	9900441	6 Screw
6282000	3 Screw	9901165	3 Screw
6283050	1 Main Frame Assy Complete	9901172	3 Anchor Screw
6283100	1 Hanger Support Block	9901178	1 Screw
6283200	1 Pivot Pin	9901189	2 Clamping Screw
6283300	2 Hole Plug	9901296	3 Screw
6285050	1 Saw Cover Assy Complete	9901314	1 Screw
6285100	1 Handle	9901318	3 Screw
6285150	1 Handle Assembly	9901372	2 Screw
6285200	1 Handle Cover	9901410	6 Screw
6285300	1 Handle Seal	9901414	4 Screw
6285310	1 Handle Cover Seal	9901417	2 Screw
6288015	1 2 Cond. Conn. w/wire 4 Ft.	9901420	3 Bolt - Fan Cover
6288020	4 Wire Nut	9901448	3 Hex Head Bolt
6288025	3 Wire Clip	9901454	1 Hex Head Bolt
6288050	1 Switch Harness	9901495	4 Screw
		9901497	3 Screw
		9901500	2 Bolt

+ Listed But Not Illustrated

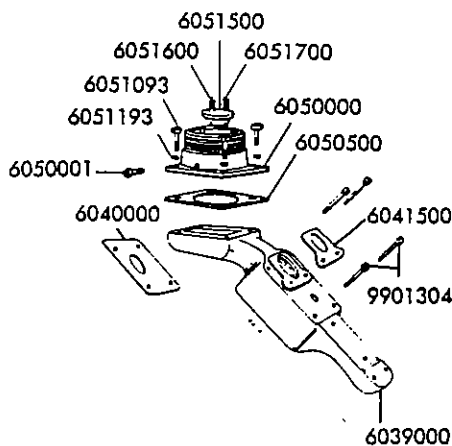
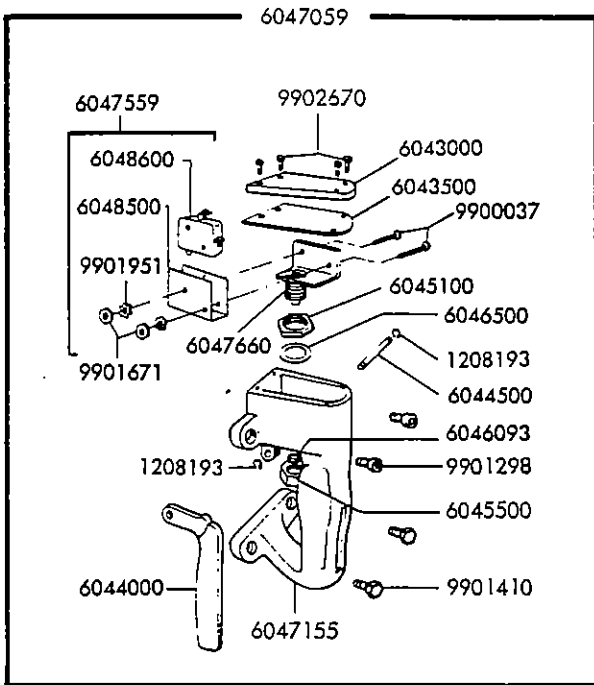


# PARTS LIST

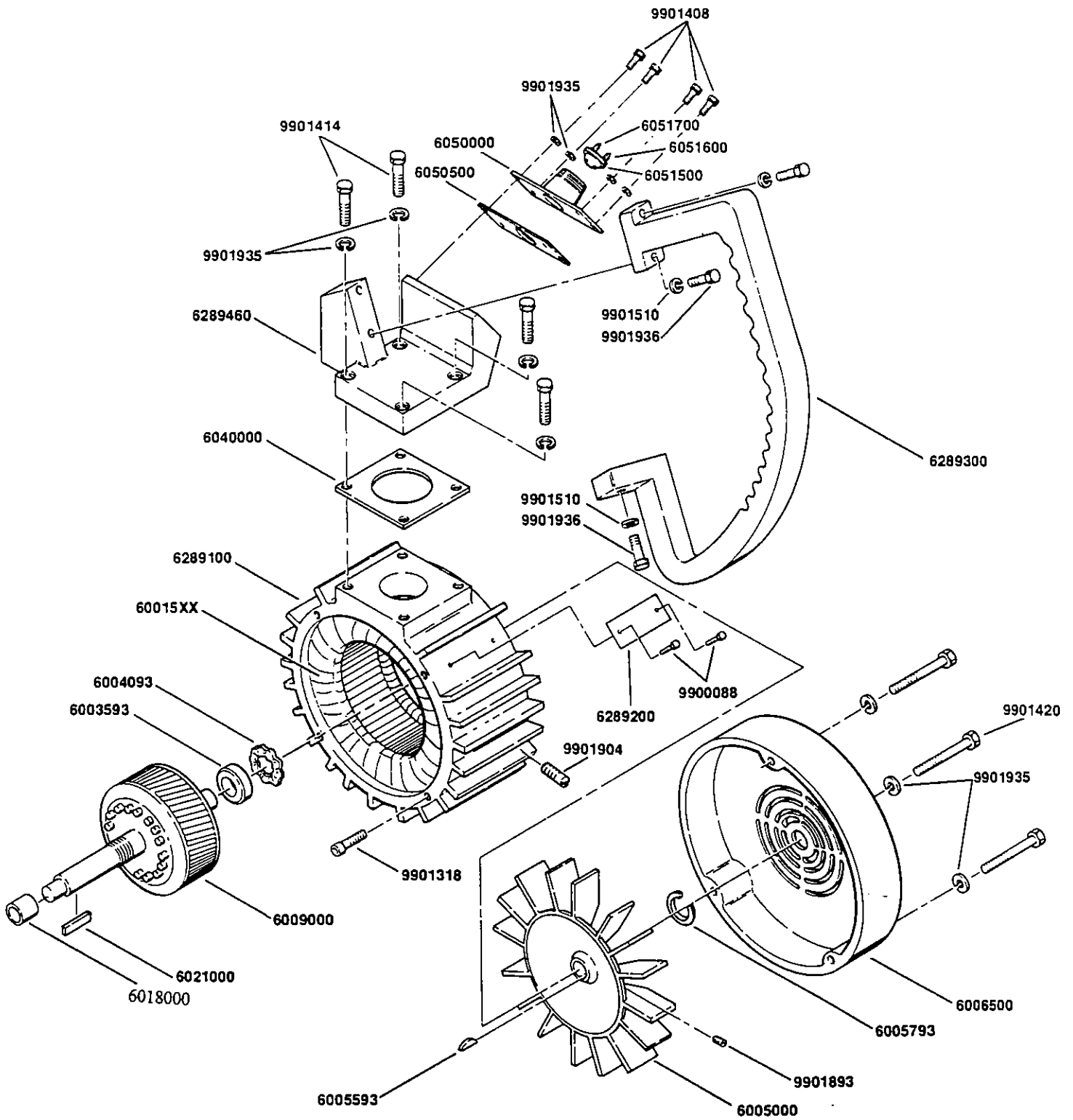
Part No.	Description
9901510	3 Screw
9901758	1 Locknut
9901759	1 Locknut
9901878	1 Screw - Plunger
9901893	1 Fan Set Screw
9901904	3 Stator Set Screw
9901935	3 Lockwasher
9901936	3 Lockwasher
9901988	3 Washer
9902029	1 Roll Pin
9902044	2 Dowel Pin
9902059	2 Dowel Pin
9902070	3 Dowel Pin
9902076	2 Roll Pin
9902125	2 Dowel Pin
9902456	1 Seal Plug
9902457	1 Pipe Plug
9902476	2 Scop Nut
9902480	2 Cone Point Set Screw
9902762	4 Screw



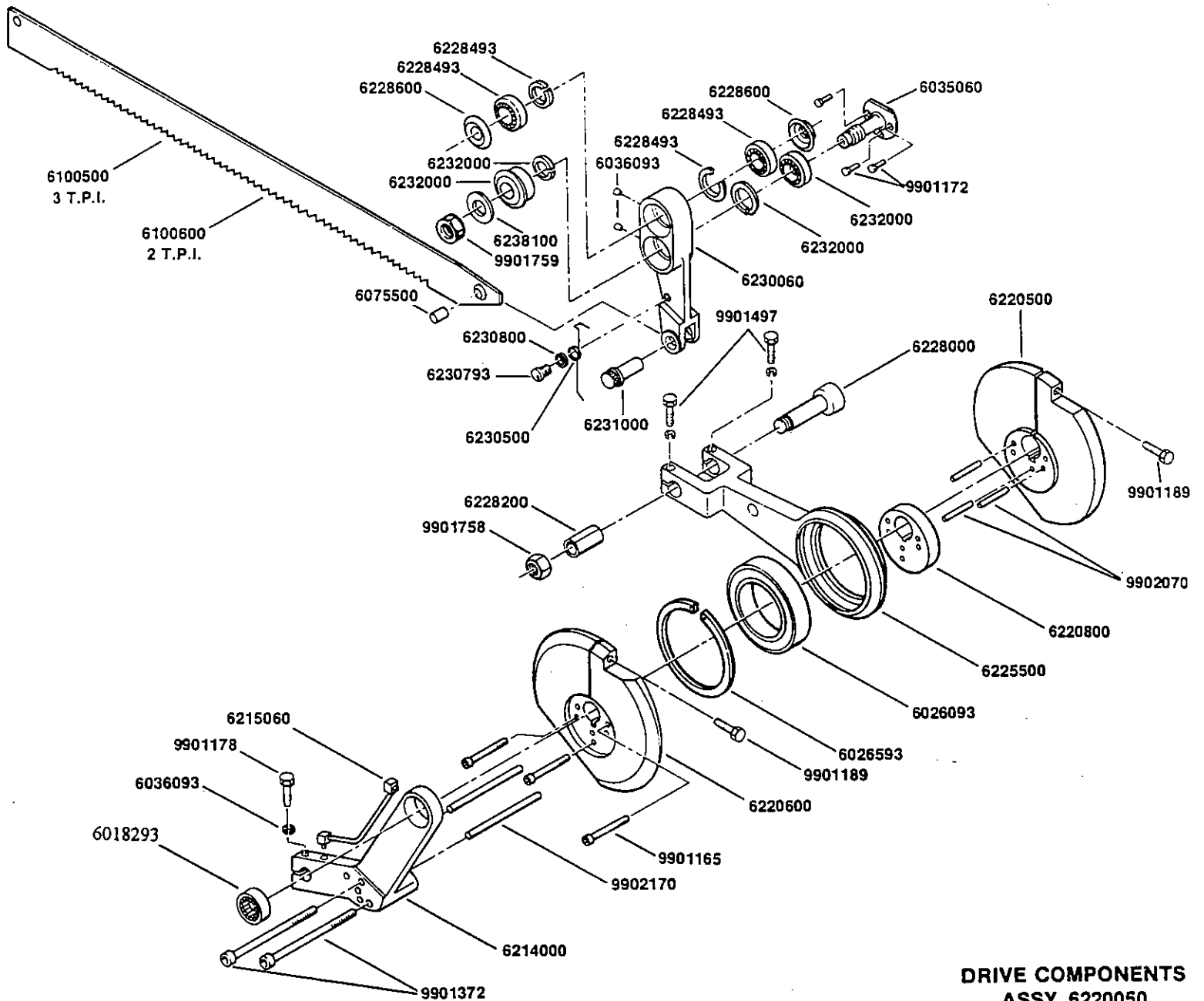
# PARTS LIST INSERT PACEMAKER "I" ONLY



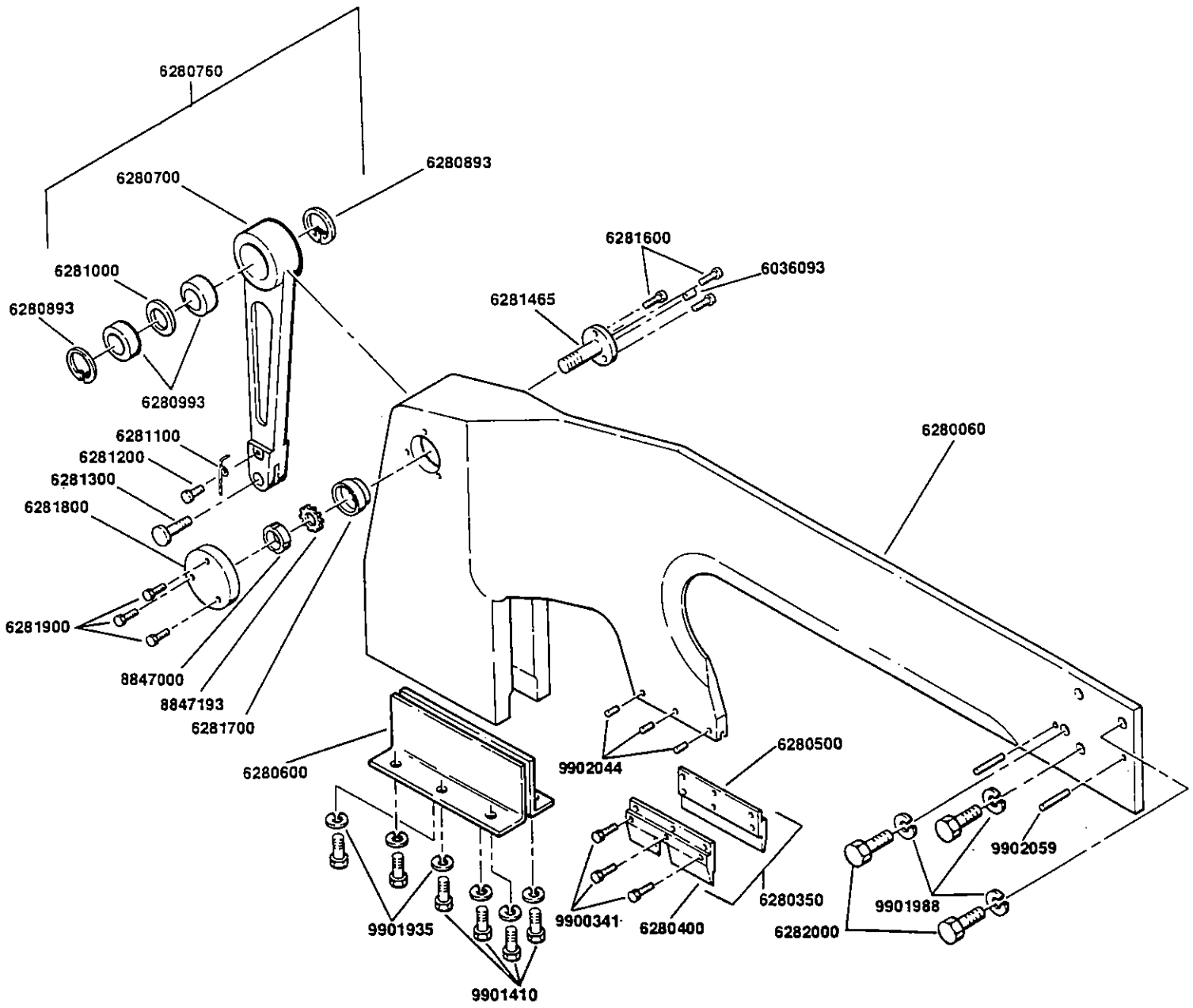
Part Number	No. Req'd.	Description
1208193	2	Retaining Ring
6039000	1	Handle Bracket
6040000	1	Gasket
6041500	1	Gasket
6043000	1	Handle Cap
6043500	1	Gasket
6044000	1	Switch Trigger
6044500	1	Trigger Hinge Pin
6045100	1	Switch Nut - Thin
6045500	1	Switch Locknut
6046093	1	Seal Ring - "O" Ring
6046500	1	Switch Nut Gasket
6047059	1	Rear Handle Complete Assy
6047155	1	Rear Handle & Cap S.A.
6047559	1	Switch Assy Complete
6047660	1	Switch Bracket S.A.
6048500	1	Insulator
6048600	1	Switch
6050000	1	Plug Shell Base
6050001	2	Screw
6050500	1	Gasket
6051093	4	Mounting Screw
6051193	4	Lockwasher
6051500	1	6-Post Male Insert Coupling Assembly
6051600	5	Male Post - Plain
6051700	1	Male Post with Lug
9901298	2	Screw
9901304	4	Bracket Screw
9901410	2	Hex Head Screw
9901671	2	Hex Nut
9901951	2	Washer
9902670	4	Screw



**MOTOR ASSY.  
62025XX**

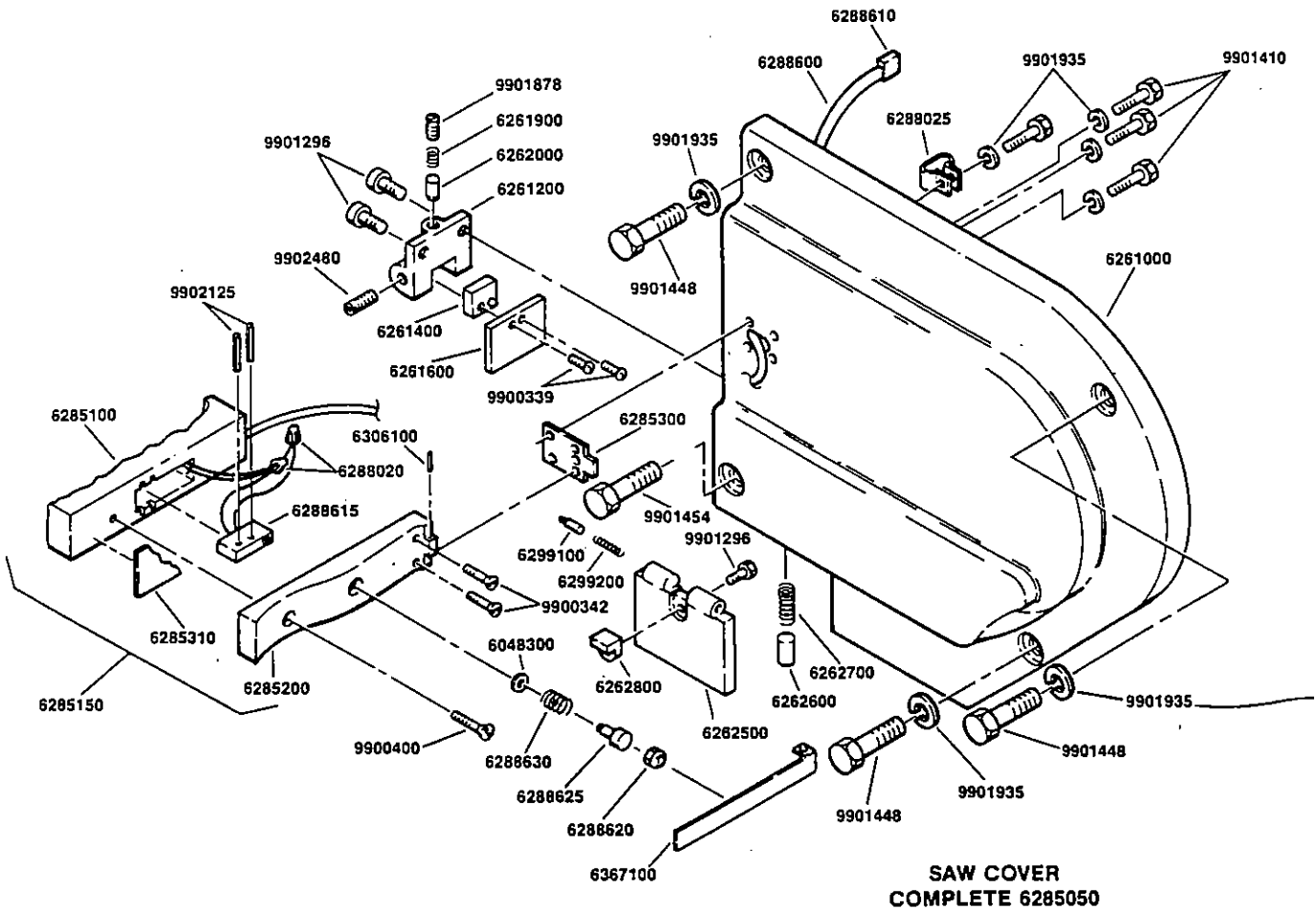
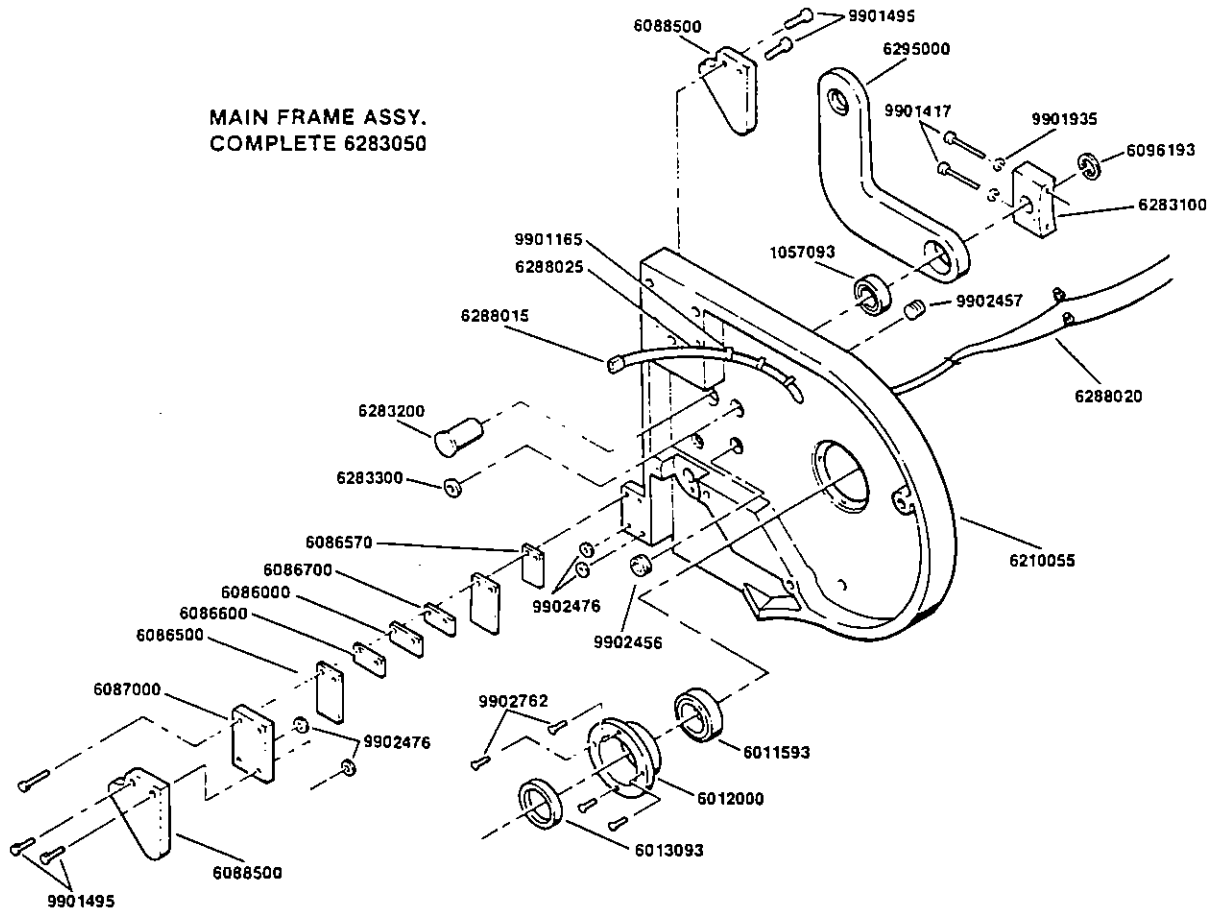


**DRIVE COMPONENTS  
 ASSY. 6220050**



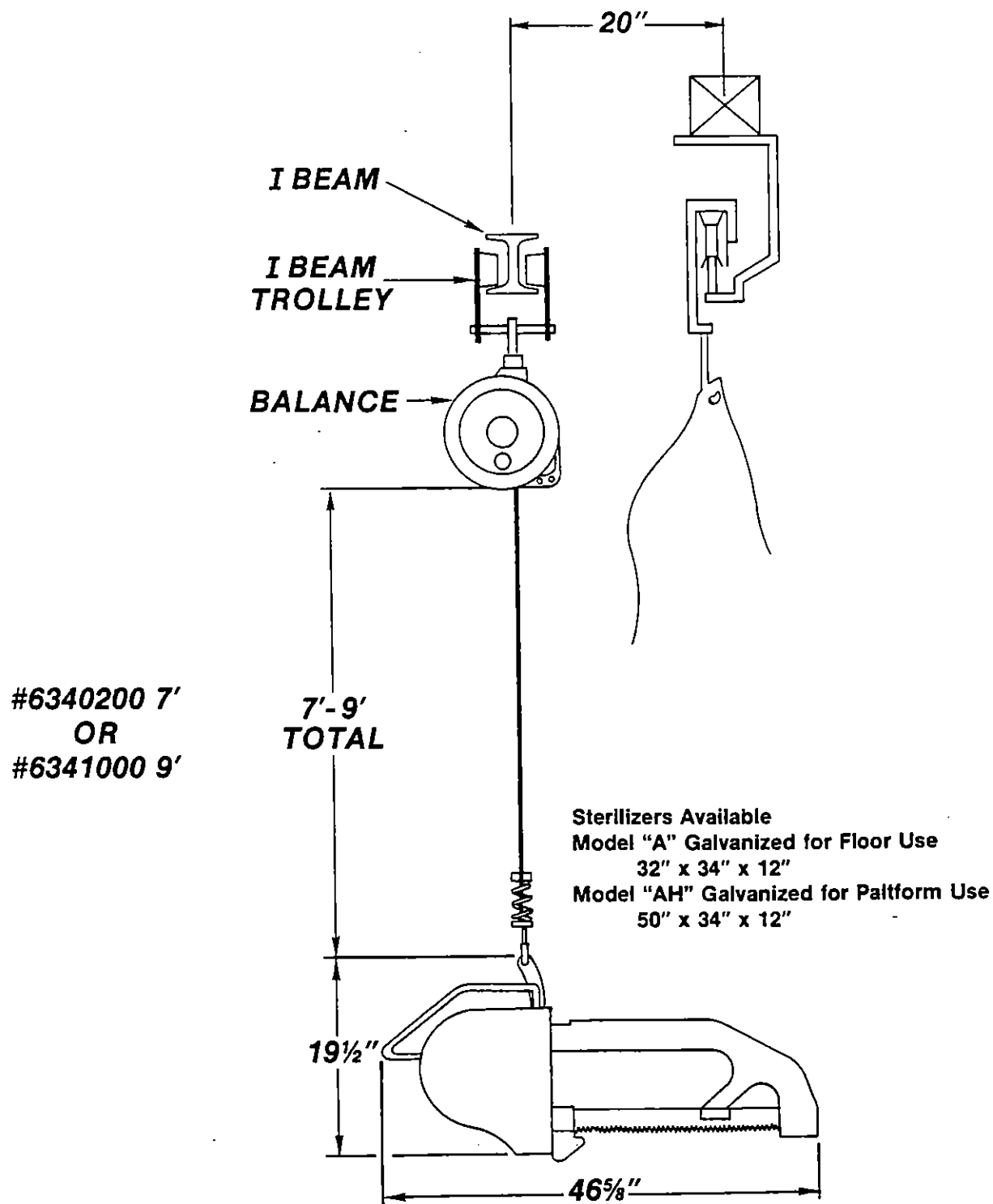
**SAW YOKE  
 ASSY. COMPLETE  
 6280050**

**MAIN FRAME ASSY.  
COMPLETE 6283050**

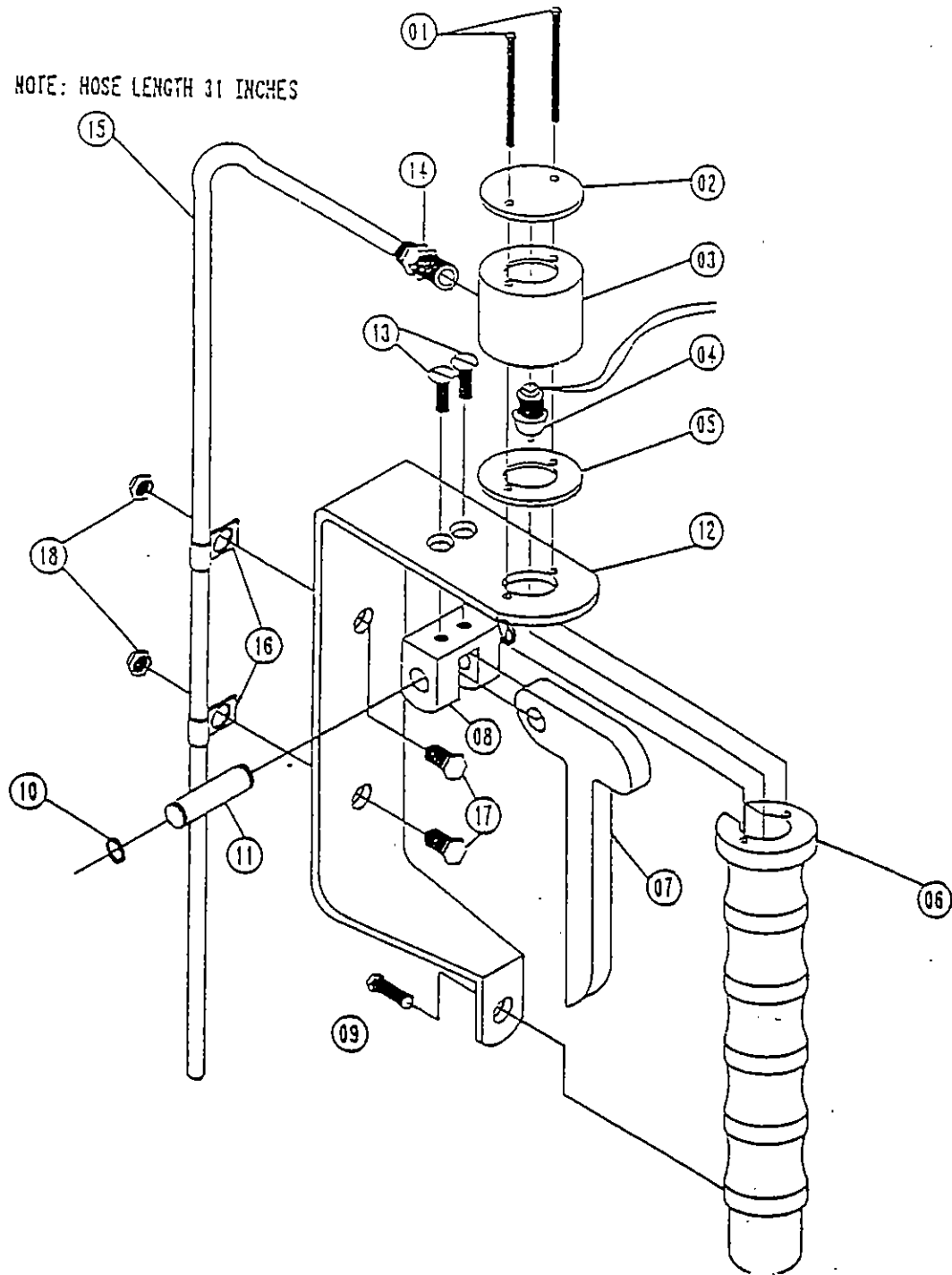


**SAW COVER  
COMPLETE 6285050**

# MOVING TROLLEY INSTALLATION DRAWING FOR BEST & DONOVAN BEEF CARCASS SPLITTERS



6240055 DUAL CONTROL HANDLE ASSEMBLY



- |   |         |                            |    |         |                      |
|---|---------|----------------------------|----|---------|----------------------|
| 1 | 9902769 | Hex Hd Cap Screw (2 Req'd) | 10 | 1208193 | Retaining Ring (2)   |
| 2 | 9753532 | Cover Plate                | 11 | 6044500 | Pin                  |
| 3 | 9753530 | Switch Housing             | 12 | 9753547 | Finger Guard         |
| 4 | 9753549 | Switch - Pigtail Lg 36"    | 13 | 9900396 | Slotted Flt Hd Screw |
| 5 | 9753528 | Spacer                     | 14 | 6523193 | 1/8" Brass Male Conn |
| 6 | 9753506 | Modular Handle - 6"        | 15 | 6523391 | 1/4" O.D. Hose       |
| 7 | 9753541 | Lever                      | 16 | 6288025 | Wire Clip            |
| 8 | 9753543 | Pivot Bracket              | 17 | 9902763 | Hex Hd Cap Screw (2) |
| 9 | 9901408 | Hex Hd Cap Screw           | 18 | 9901750 | 10-32 Stop Nut (2)   |





---

INVEST IN THE BEST...BUY B&D PACKER APPROVED MACHINES

---

**USDA  
APPROVED**

FOR MORE INFORMATION, CONTACT:

**BEST & DONOVAN**

5570 Creek Road, Cincinnati, OH 45242, USA

TOLL FREE:  
TELEPHONE:  
CABLE:  
FAX:

1-800-553-2378  
(513) 791-9180  
WEPCO  
513-791-0925



© COPYRIGHT 1994